



FURROW PUMP

Supporting the chemical equipment solutions industry through education and expertise.

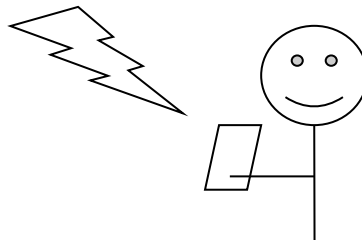
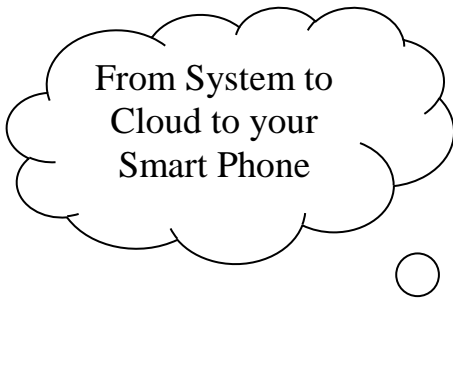
8525 SW St. Helens Drive
Wilsonville, OR 97070
503-682-4411 • 503-682-4421 fax
sales@furrowpump.com

Remote Pump House or Chemical Feed Station

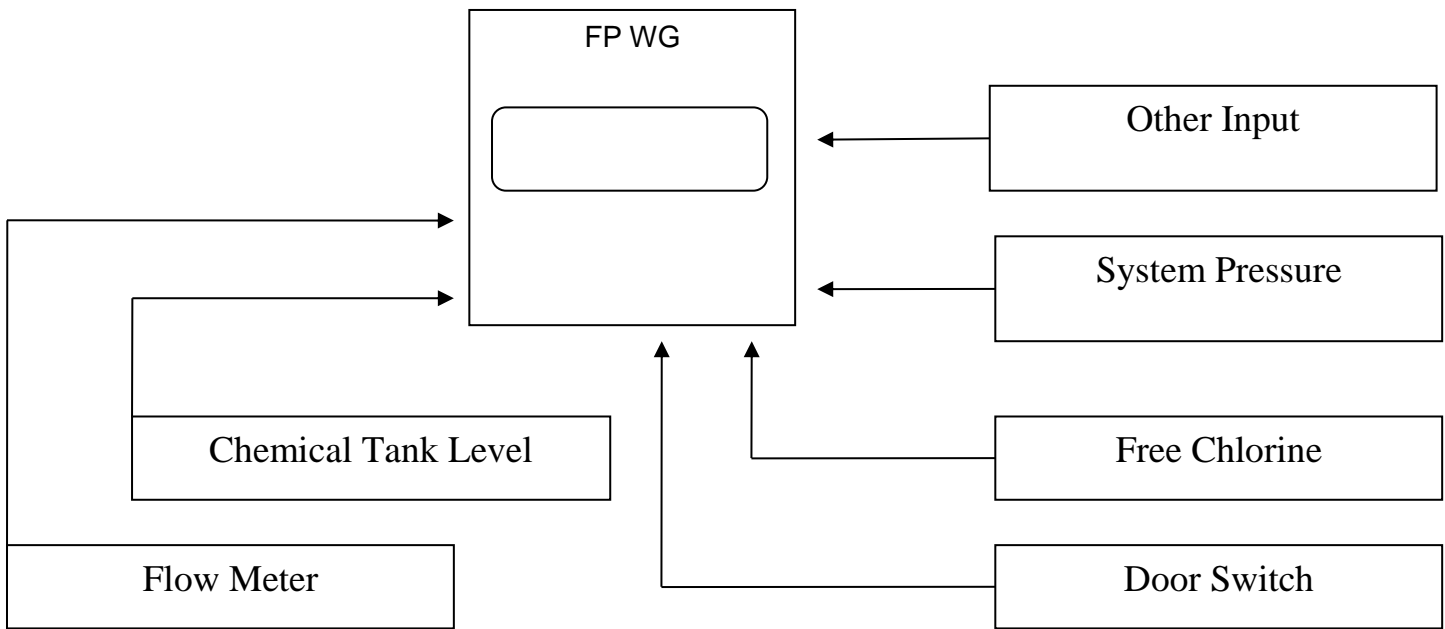
Connect via Cell or Internet

Troubleshoot or Make Adjustments from your Smart Phone

Remote Monitoring and Control



Alarms
Adjustments
Graphing
Troubleshooting
From any computer device



Includes Historical Graphing

