

In-line pH and ORP Electrode Fittings with Temperature Compensation

Product Instructions

Description of Parts

FC66TC One each FC66P mounting gland (20% glass-filled polypropylene) used with Model S660CD Electrode, one each modified SCH80 CPVC tee, one each cable assembly with temp sensor in 1/4" nipple.

FC67TC One each FC66P mounting gland (20% glass-filled polypropylene) and one each 1" x 3/4" reducing bushing used with Model S661CD Electrode, one each modified SCH80 CPVC tee and one each cable with temp sensor in 1/4" nipple.

FC68TCP One each FC66P mounting gland (20% glass-filled polypropylene) and one each 2" x 3/4" reducing bushing used with Model S662CD Electrode, one each modified SCH80 CPVC tee and one each cable with temp sensor in 1/4" nipple.

Mechanical Installation

First install tee into piping, making sure that tee orientation is >10 deg above horizontal (SEE FIG 1).

Using Pipe Thread Sealing Tape or other pipe thread sealant on the connecting pipe threads and taking care to not overtighten plastic threads (particularly when screwing male metal pipe into female plastic fittings), proceed as follows:

- For FC66TC Only:** Install supplied tee. Next, install gland as shown in FIG 2 by first wrapping threads with Pipe Thread Sealing Tape.
- For FC67TC and FC68TC:** After supplied tee is installed, install reducer fitting provided. Tape threads of reducer fitting with Pipe Thread Sealing Tape. Then install gland as shown by first wrapping threads with Pipe Thread Sealing Tape. You will need to remove nut from gland first (SEE FIG3).

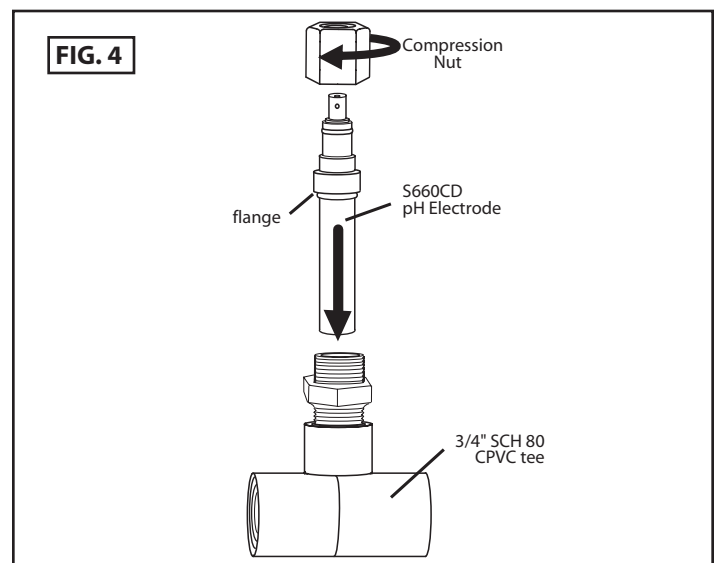
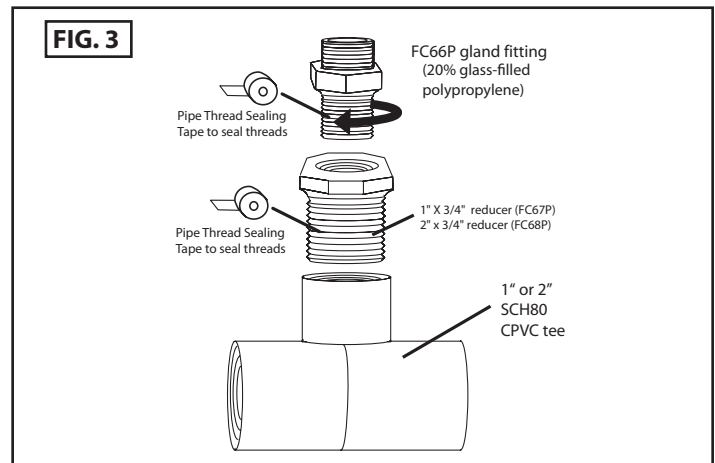
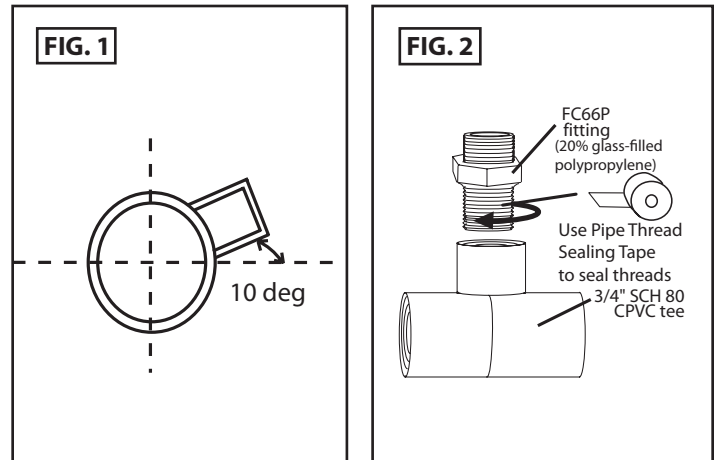
Electrode Installation

Install electrode into gland until it stops at flange. The o-ring under the flange serves as the seal (SEE FIG 4).

Cable Considerations

The grey plastic cap with the recessed BNC connector is fitted onto the electrode's connector as is described in the figure on the right. The exposed cable should be secured to supports to prevent cable sway. For installing the cable in conduit, a threaded cable cap assembly should be used. Before the main rigid conduit, a short length of flexible and waterproof conduit should be used in order for the electrode to be installed and removed from the mounting gland.

Parts covered by this product data sheet include:
FC66TC, FC67TC, FC68TC



Install TC assembly (1/4" nipple) into tee first! Always seal threads with Pipe Thread Sealing Tape before installation to prevent leakage (FIG 5). Install cap and cable assembly by aligning tabs of electrode connector with notches in internal BNC of cap. Press down firmly then turn clockwise 1/4 of a turn to engage (FIG 6).

Electrical Installation

The pH preamplifier/transmitter/meter electrical connections are as follows:

pH - _____

Reference - _____

Temperature Compensator* - _____

Solution Ground** - _____

NOTES:

* Unless noted above, either temperature compensator lead (red or black wires) may be connected to either temperature compensator terminal strip connection.

** The green wire is for solution ground. Not all units have or require a solution ground. The pH meter/transmitter instructions should provide information about the use of this connection. If no reference is made to a solution (not earth), then ground connection is probably not needed.

