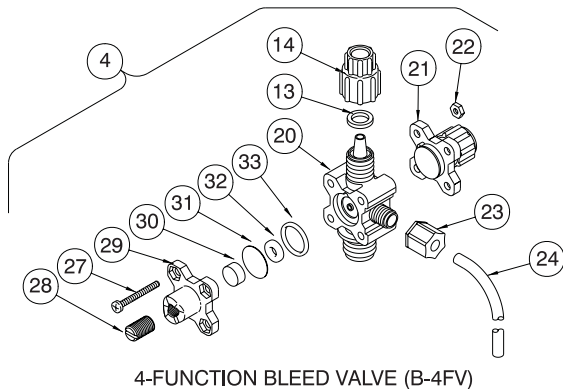
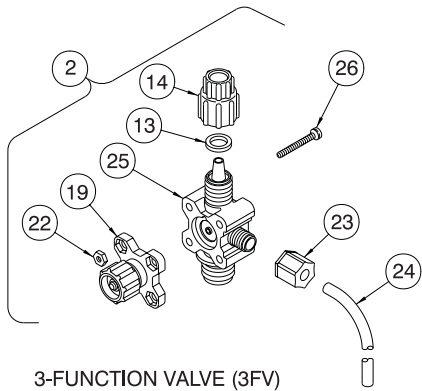
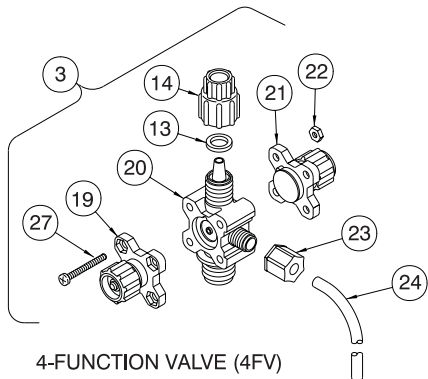
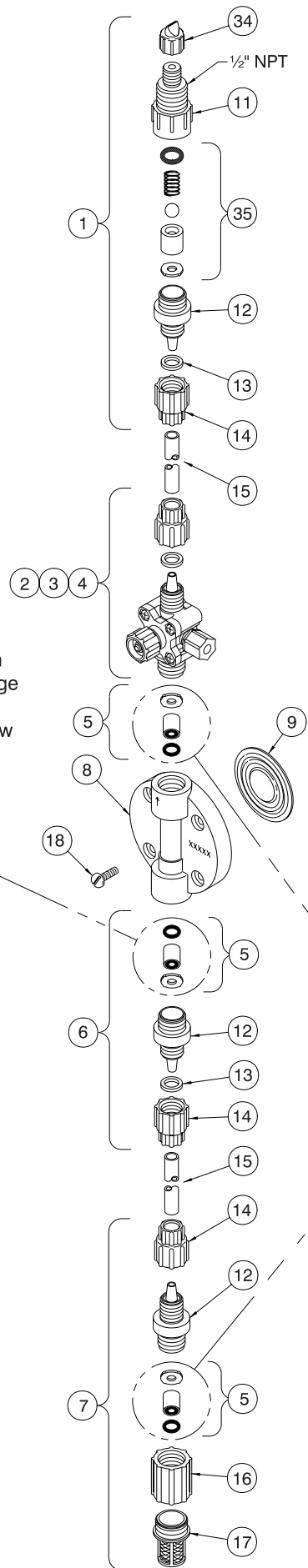
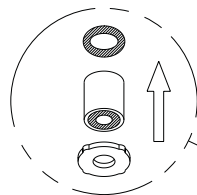


Liquid End Sheet

Key No.	Part No.	Part Description	Quantity					
			392TP	392SP	392BP	393TP	393SP	393B
1	37360	Inj Ck Valve, PVDF	1	1	1	1	1	1
2	36268	3FV, PVDF 1/4 NPT	1			1		
3	36278	4FV, PVDF 1/4 NPT		1			1	
4	36393	B4FV, PVDF 1/4 NPT			1			1
5	36307	CV .375 PVDF/Polyprel [®]	3	3	3			
	36306	CV .375 PVDF/PTFE				3	3	3
6	36424	Suction Valve, PVDF	1	1	1			
	36366	Suction Valve, PVDF				1	1	1
7	36422	Foot Valve, PVDF	1	1	1			
	36364	Foot Valve, PVDF				1	1	1
8	36122	Head PVDF 0.9	1	1	1	1	1	1
9	30917	LiquiframT 0.9	1	1	1	1	1	1
11	37351	Inj Fitting PVDF	1	1	1	1	1	1
12	37119	Valve Housing PVDF	3	3	3	3	3	3
16	36204	Foot Valve Coupling	1	1	1	1	1	1
17	10123	Strainer	1	1	1	1	1	1
18	10340	Screw, Head	4	4	4	4	4	4
19	36866	P/R Cap sm.	1	1		1	1	
20	37223	4FV Body, PVDF		1	1		1	1
21	36280	/S Cap sm.		1	1		1	1
22	25628	Nut	4	4	4	4	4	4
23	25631	Coupling Nut	1	1	1	1	1	1
24	25636-10	Tubing .375 P.E.	1	1	1	1	1	1
25	37225	3FV Body, PVDF	1			1		
26	35716	Screw, 3FV	4			4		
27	25627	Screw, 4FV		4	4		4	4
28	34876	Screw, B/4FV			1			1
29	32171	Cap			1			1
30	34868	Disc			1			1
31	32173	Diaphragm			1			1
32	32175	O-Ring			1			1
33	32176	O-Ring			1			1
34	27352	Flapper Valve	1	1	1	1	1	1
35	37349	Inj Ck Valve Kit	1	1	1	1	1	1



Washer on Bottom
Install 3-piece cartridge valve as shown in direction of flow arrow



Washer on Top
Install 3-piece cartridge valve as shown in direction of flow arrow

