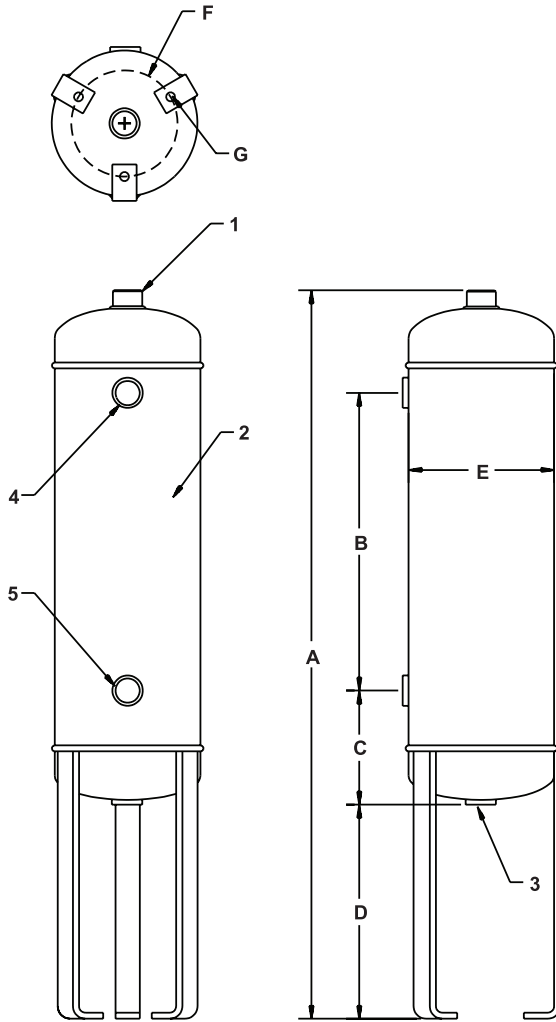


# J.L. WINGERT CO.

## Specification Sheet HIGH PRESSURE BYPASS FEEDERS

SS030003.A 10/12



### MATERIALS AND SPECIFICATIONS:

KEY	SPECIFICATIONS
1	FILL: 1" FNPT
2	BODY: Carbon Steel
3	DRAIN: 3/4" FNPT
4	OUTLET: 3/4" FNPT
5	INLET: 3/4" FNPT
MAX PRESSURE	300 PSI (20.7 BAR)
MAX. TEMPERATURE	200°F (93°C)

### VOLUME (FILL CAPACITY)

MODEL	GALLONS	LITERS
HP-1	1.19	4.52
HP-2-LEG	2.39	9.04
HP-5-LEG	6.30	23.85
HP-12-LEG	13.28	50.27

### DIMENSIONS, WEIGHT & CUBE:

KEY	HP-1	HP-2-LEG	HP-5-LEG	HP-12-LEG
A	11 1/2"	29 3/4"	29 1/2"	50 1/4"
B	3 1/2"	12 1/2"	10 5/8"	31"
C	3 3/4"	4 3/8"	6 1/8"	6"
D	N/A	8 3/4"	7 5/8"	7 3/4"
E	6"	6"	10"	10"
F	N/A	4"	8"	8"
G	N/A	3/8"	3/8"	3/8"
WEIGHT	8 lbs. (3.6 kgs)	16 lbs. (7.3 kgs)	31 lbs. (14.1 kgs)	56 lbs. (25.4 kgs)
CUBE	6" x 6" x 12"	6" x 6" x 32"	10" x 10" x 32"	10" x 10" x 52"

Note: All dimensions are +/- 1/8". All weights are approximate. All dimensions are subject to change without notice.

MANUFACTURING: Mixers, Bypass Feeders, Filter Feeders, Bromine Feeders, Sample Coolers, Sludge Traps, Separators, Separator Systems, Tank Stands, Tank Package Systems, Glycol Feed Systems, Coupon Racks, Control Stations, NEMA Enclosures, Custom Packaged Systems and Specialty Welding

P.O. Box 6207 • Garden Grove, CA 92846-6207 / 11800 Monarch St. • Garden Grove, CA 92841-2113 • Phone (714) 379-5519 • Fax (714) 379-5549  
Northern California Region • Phone (510) 487-5310 • Southwest Region • Phone (602) 470-1015 • Email: customerservice@jllwingert.com

[www.jllwingert.com](http://www.jllwingert.com)