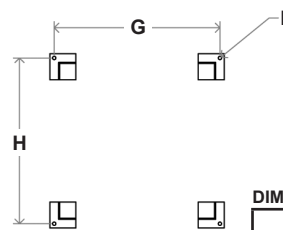
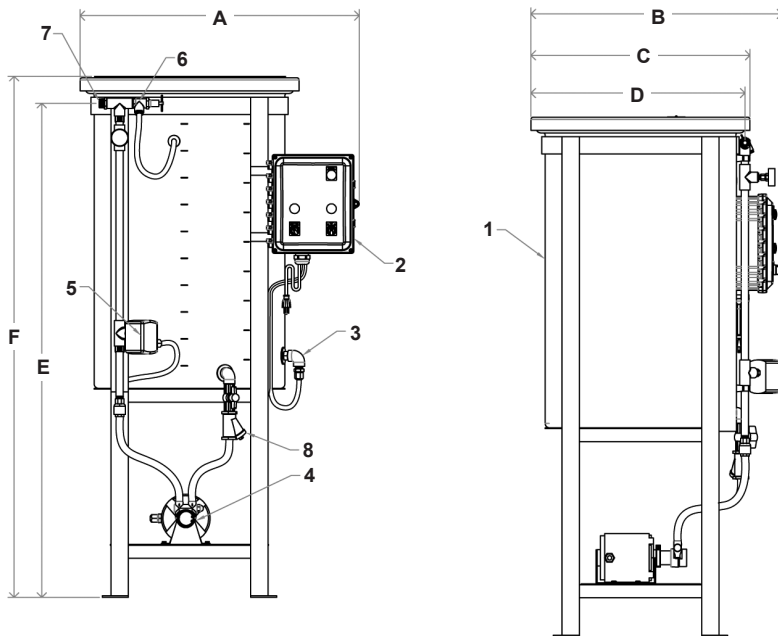


# J.L. WINGERT CO.

## Specification Sheet "GL50-E[ ]-[ ]" ECONOMY GLYCOL FEED SYSTEM

SS161000.A 01/13



### DIMENSIONS

A	32 3/16"
B	28 15/16"
C	25 1/4"
D	24 11/16"
E	57"
F	60 1/8"
G	19 1/8"
H	19 1/8"
I	3/8"
WEIGHT	150 lbs

### STANDARD MOTOR DATA

HP	1/3
MOTOR TYPE	Split-Phase Carbonator Pump
ENCLOSURE	ODP
NEMA FRAME	48Y
VOLTAGE	100-120/200-240
PHASE	1
FULL LOAD AMPS	5.5-5.6 / 2.7-2.8
THERMAL PROTECTION	YES
INSULATION CLASS	B
SERVICE FACTOR	1
NAMEPLATE RPM	1725

### SPECIFICATIONS

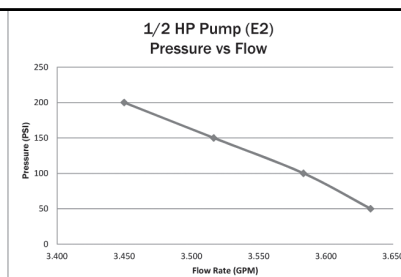
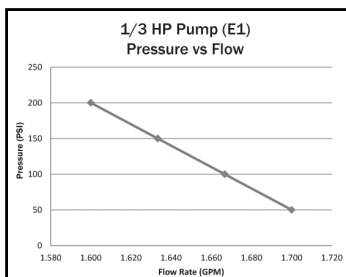
KEY	SPECIFICATIONS
1	<b>TANK/TANK STAND:</b> 50 Gallon polyethylene tank with 1/3 hinged cover. Tank is supported and restrained by a carbon steel tank stand. Tank stand is coated with water based enamel.
2	<b>CONTROL PANEL:</b> NEMA 4X control panel includes the following: -8ft 115VAC Power Cord -Main Power Off-On Switch and Green LED Indicator Light -Pump H-O-A Switch and Green LED Indicator Light -Red Low Level LED Indicator Light -15 Amp Slow Blow Fuse -115VAC Auxiliary Low Level Output
3	<b>LOW LEVEL SWITCH:</b> Polypropylene side entry low level switch with 12 Amp relay.
4	<b>PUMP:</b> 1/3HP Brass rotary vane pump that provides even flow against pressure. (See the Pump Curves below.) Optional 1/2HP Brass Rotary Vane pump (E2). Consult factory for other pump options.
5	<b>PRESSURE SWITCH:</b> 1/4" NPT Pressure Switch. See Pressure Code below for Cut-In and Cut-Out values.
6	<b>PRESSURE RELIEF VALVE:</b> 20-150 PSI Brass Pressure Relief Valve.
7	<b>OUTLET:</b> 3/4" MNPT
8	<b>SUCTION ASSEMBLY:</b> Sch80 PVC Fittings, PVC Isolation Ball Valve, Cast Iron Y-Strainer
<b>MAXIMUM PRESSURE</b> 100 PSI (6.9 BAR)	
<b>MAXIMUM TEMPERATURE</b> 85° F (29.4° F)	

PRESSURE CODE	CUT-IN RANGE (PSI)	CUT-OUT RANGE (PSI)	PRESSURE DIFFERENTIAL (PSI)
1*	10-40	20-60	10-30
2	40-80	65-100	20-40
3	3-10	9-30	6-20
D**	0-149	1-150	1-149

\*Code 1 is standard. Code 2 and Code 3 are optional pressure codes.  
\*\*Code D is Digital. For pressures over 100 PSI, -HTM manifold must be used.

### OPTIONAL FEATURES

-B	95dB Audible Alarm and Silence Switch.
-C	Remote Low Level Dry Contact.
-HTM	SCH40 Carbon Steel High Temperature Manifold with High Temperature Hoses.
-MXR	1/20 HP TEFC Mixer with On-Off Switch.



Note: All dimensions are +/- 1/8". All weights are approximate. All dimensions are subject to change without notice.