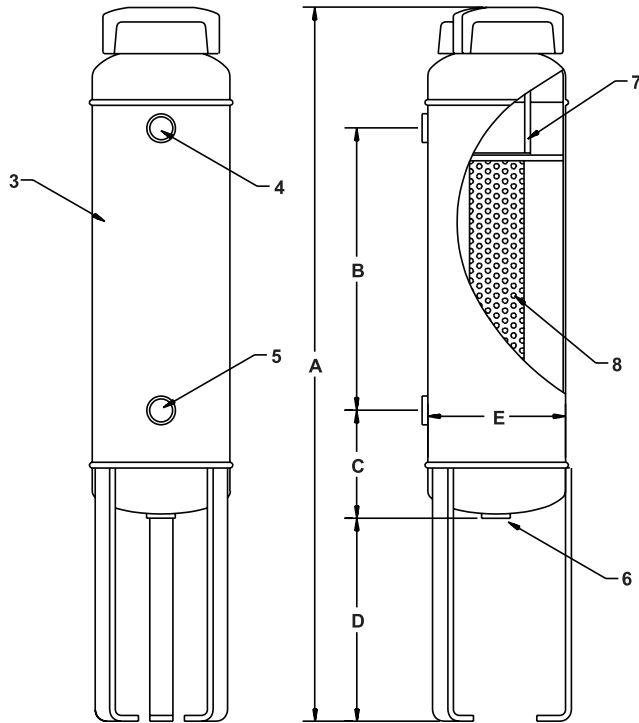
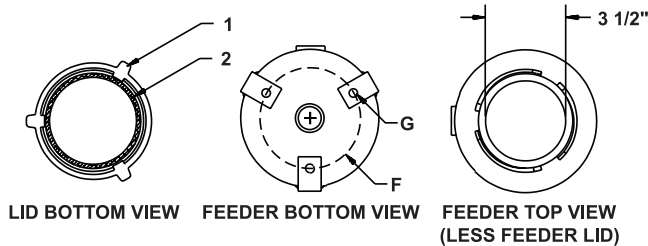


J.L. WINGERT CO.

Specification Sheet DOME BOTTOM FILTER FEEDERS

SS030008.A 10/12



PARTS, MATERIALS AND SPECIFICATIONS

KEY	PART	SPECIFICATIONS
1	3071	CLOSURE: 3 1/2" cast iron, 1/4 turn closure, (O-ring included)
2	3072	O-RING: Buna-N O-ring 200°F
3		BODY: Carbon steel
4		INLET: 3/4" FNPT
5		OUTLET: 3/4" FNPT
6		DRAIN: 3/4" FNPT
7	3128	BASKET: 304 stainless steel basket (2.5"D x 9"L)
	3129	BASKET: 304 stainless steel basket (2.5"D x 24"L)
8	3131	FILTER: 25 micron bag (2"D x 9"L / 28 in ²)
	3132	FILTER: 25 micron bag (2.5"D x 24"L / 75 in ²)
MAX. PRESSURE		200 PSI (13.6 BAR)
MAX. TEMPERATURE		200°F (93°C)

VOLUME (FILL CAPACITY)

MODEL	GALLONS	LITERS
F-DB-2HD	2.39	9.04
F-DB-5HD	6.30	23.85
F-DB-12HD	13.28	50.27

DIMENSIONS, WEIGHT & CUBE:

KEY	F-DB-2HD	F-DB-5HD	F-DB-12HD
A	30 3/4"	30 1/2"	51 1/4"
B	12 1/2"	10 5/8"	31"
C	4 3/8"	5 7/8"	5 7/8"
D	8 3/4"	7 3/4"	7 3/4"
E	6"	10"	10"
F	4"	8"	8"
G	3/8"	3/8"	3/8"
WEIGHT	23 lbs. (10.4 kgs.)	41 lbs. (18.6 kgs.)	67 lbs. (30.4 kgs.)
CUBE	6" x 6" x 32"	10" x 10" x 32"	10" x 10" x 53"

Note: All dimensions are +/- 1/8". All weights are approximate. All dimensions are subject to change without notice.

MANUFACTURING: Mixers, Bypass Feeders, Filter Feeders, Bromine Feeders, Sample Coolers, Sludge Traps, Separators, Separator Systems, Tank Stands, Tank Package Systems, Glycol Feed Systems, Coupon Racks, Control Stations, NEMA Enclosures, Custom Packaged Systems and Specialty Welding

P.O. Box 6207 • Garden Grove, CA 92846-6207 / 11800 Monarch St. • Garden Grove, CA 92841-2113 • Phone (714) 379-5519 • Fax (714) 379-5549
Northern California Region • Phone (510) 487-5310 • Southwest Region • Phone (602) 470-1015 • Email: customerservice@jlwingert.com

www.jlwingert.com