



**Griffco Valve Inc.**  
 6010 North Bailey Ave, Ste 1B  
 Amherst, NY 14226  
 Phone: 1 716 835-0891  
 Fax: 1 716 835-0893

# Gauge and Instrument Guards



Griffco diaphragm gauge and instrument isolators are designed to enhance the performance of chemical feed systems. The addition of gauges to the system ensure optimal pressures are maintained. Diaphragm isolators protect instruments against chemical attack.

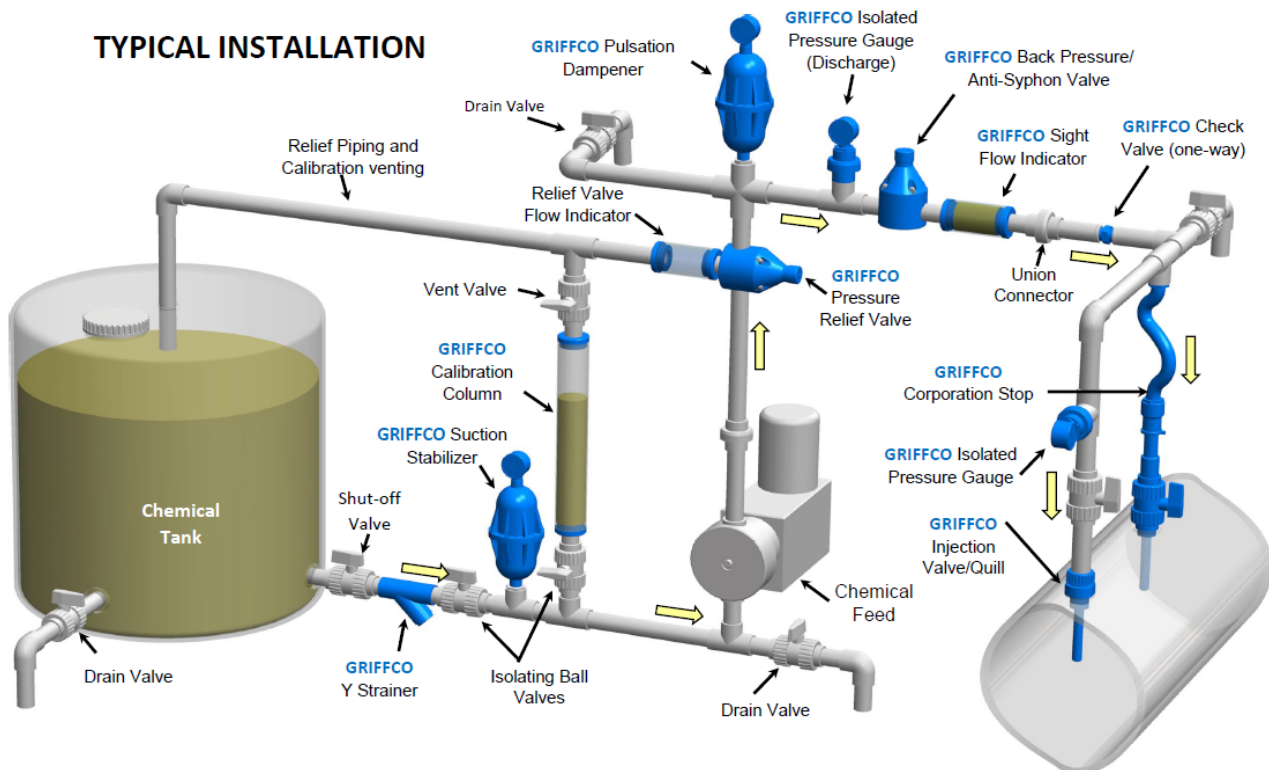
## Features:

- Reliable Instrument Protection
- Will Perform in Any Position
- Molded Noryl Top
- 316 SS Gauge Connection
- Wide Range of Materials
- Calibration Screw for Zeroing
- Multiple Diaphragm Options
- Available With or Without Gauge
- No Metal Fasteners

## Principles of Operation:

- 1 – A Griffco Valve gauge guard assembled with a vacuum mechanism must be fill with a proper fill fluid. (e.g. glycerine, mineral oil).
- 2 – The gauge guard diaphragm is an elastic wall that precludes the process fluid from entering the gauge or pressure device.
- 3 – Pressure on the process side of the diaphragm pushes against the fill liquid transferring the pressure to the device.
- 4 – Conversely, vacuum causes the diaphragm to flex in the reverse direction, producing a vacuum in the fill liquid, which triggers the device.

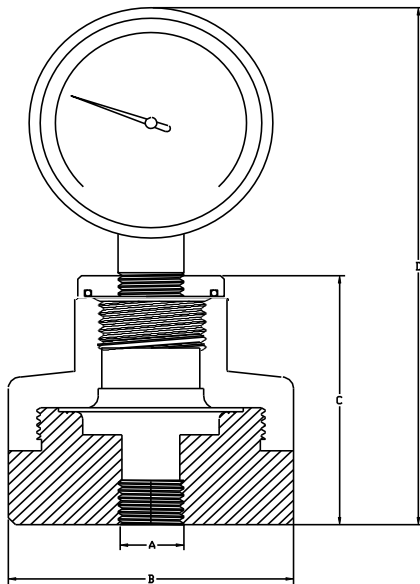
## TYPICAL INSTALLATION



# TECHNICAL DATA:

Materials of Construction:	Body: PVC, CPVC, PP, PTFE, PVDF, 316 SS. Top: Noryl	
Connection Sizes:	1/4", 3/8" and 1/2"	
Connections:	NPT, BSPT, Socket, Union, Flange	
Gauge Port Sizes	1/4" Standard, Optional: 1/8", 1/2"	
Max Temperature:	PVC: 140°F (60°C) ; CPVC & PP 190° (87°C); PVDF: 300° (150°C)	
Max Operating Pressure(psi) @ 70 Deg. F	250 PSI	
O-Ring Material	Viton	
Diaphragm Material	Standard: Viton. Optional: PTFE, Hypalon, Kalrez	
Gauge Accuracy	± 2%	
Optional Gauges	Standard: 0 – 160 PSI, 0 – 60 PSI, 0 – 100 psi, 0 – 200 psi	

## DIMENSIONS:



Size (A)	B (in)	C (in)	D (in)
1/4"	2.35	2.15	4.75
3/8"	2.35	2.15	4.75
1/2"	2.35	2.15	4.75



## Product Codes for Ordering:

**GG**                   

**GGU**                   

With Union Connection

**1**                      **2**                      **3**                      **4**                      **5**

**1 - Size**

025 - 1/4"  
038 - 3/8"  
050 - 1/2"

**2 - Material**

P - PVC  
CP - CPVC  
PP - Polypro  
T - PTFE  
K - PVDF  
S - 316 SS

**3 - Gauge Class**

0 - No Gauge  
1 - Economy  
2 - Mid-Range  
3 - Premium

**4 - Pressure Range**

1 - 0 – 160 psi  
2 - 0 – 60 psi  
3 - 0 – 100 psi  
4 - 0 – 200 psi

**5 - Options**

T - PTFE Diaphragm  
H - Hypalon Diaphragm  
B - BSP Connections