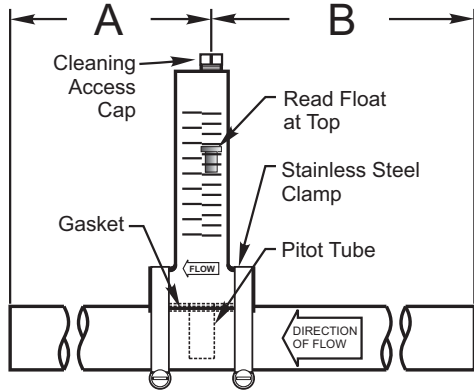


# F-300 Flowmeter Installation Instructions



Dimension	Accuracy (L2 and L3)
A	Outlet pipe length = 2 x Pipe I.D.*
B	Inlet pipe length = 5 x Pipe I.D.*

\* Minimum acceptable dimensions.  
Must be straight horizontal piping.

**Models w/ suffix "P"** = PVC pipe, SCH 40 and SCH 80 (IPS pipe, ASTM - D-1785)\*

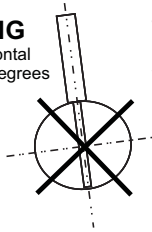
**Models w/ suffix "T"** = Copper Tubing, Type "K" or "L"

**Models w/ suffix "M"** = PVC pipe, PN10 and Pn16

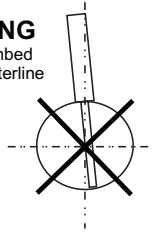
**Installation:** To prevent debris from entering the meter, install the flowmeter downstream from the filter if possible with at least the minimum straight pipe dimensions called for in the above drawing. Drill the pitot tube hole in the top (12 o'clock position) of the horizontal pipe. Carefully remove all burrs. Insert the pitot tube, with the gasket in place, into the drilled hole. Tighten the clamps alternately, a little at a time. Make certain the flow direction is towards the pitot tube opening.

## Examples:

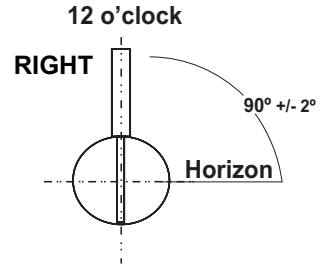
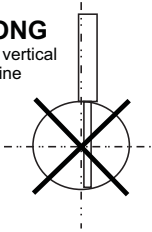
**WRONG**  
Not horizontal  
within 2 degrees



**WRONG**  
Not plumbed  
thru centerline



**WRONG**  
Not on vertical  
centerline



Flowmeter size	Drill size for pitot tube
1" thru 4"	5/8" to 41/64"
6" thru 8"	3/4" to 49/64"

**Note:** Incorrect installation may result in a damaged pitot tube.

**Troubleshooting:** Should the meter fail to read, make certain the openings in the front and rear of the pitot tube are not clogged, that the pitot tube opening faces the direction of the flow, and that you have installed the meter on the correct IPS (ASTM-D-1785) type and size pipe. Note that the top of the float is the largest diameter.

**Accuracy** = +/- 5% (L2), +/- 10% (L3)

**Max Temperature** = 190°F / 87.7°C at 0 Psi (0 Bar)

**Maximum Pressure** = 75 psi (5.2 bar)

**Headloss** = Maximum 1 psi across all pipe sizes

**Note:** Pressure and temperature limits are inversely proportional

**Blue-White® flowmeters are tested and calibrated for water only.**

\*NSF 50 listed for 1", 1.25", 1.5", 2" (L2), 2.5", 3", 4", 6", and 8" (L3)

**Blue-White®**  
Industries, Ltd.

5300 Business Drive  
Huntington Beach, CA 92649

Phone: 714-893-8529

Fax: 714-894-9492

E-mail: TechSupport@Blue-White.com

E-mail: [Sales@Blue-White.com](mailto:Sales@Blue-White.com)

web: [www.blue-white.com](http://www.blue-white.com)

80000-557  
12182017

**Maintenance:** The flowmeter body and all other parts can be cleaned by washing in a mild soap and water solution. A soft bristle brush will simplify cleaning inside the meter body. Note the float's up position for re-assembly.

**Maximum Temperature** = 190°F at 0 Psi (87.8°C at 0 Bar)

**Maximum Pressure** = 75 PSI at 70°F (5.2 Bar at 21.1°C)

**Accuracy** = +/- 5% (L2), +/- 10% (L3)

**Headloss** = Maximum 1 psi across all pipe sizes

Pressure and temperature limits are inversely proportional.

**Disclaimer:** We cannot guarantee our flowmeters will not be damaged either at or below the suggested limits simply because of many factors which influence meter integrity; stress resulting from meter misalignment, damage due to excessive vibration and/or deterioration caused by contact with certain chemicals as well as direct sunlight. These situations and others tend to reduce the strength of the materials from which the meters are manufactured. Flowmeters are tested and calibrated for water only. Although the meters may be suitable for other chemicals, Blue-White cannot guarantee their suitability.

Meters are suitable for indoor and outdoor use.

For more information visit our website at [www.Blue-White.com](http://www.Blue-White.com)

**Blue-White**<sup>®</sup>  
Industries, Ltd.

5300 Business Drive  
Huntington Beach, CA 92649

Phone: 714-893-8529

Fax: 714-894-9492

E-mail: [TechSupport@Blue-White.com](mailto:TechSupport@Blue-White.com)

E-mail: [Sales@Blue-White.com](mailto:Sales@Blue-White.com)

web: [www.blue-white.com](http://www.blue-white.com)