

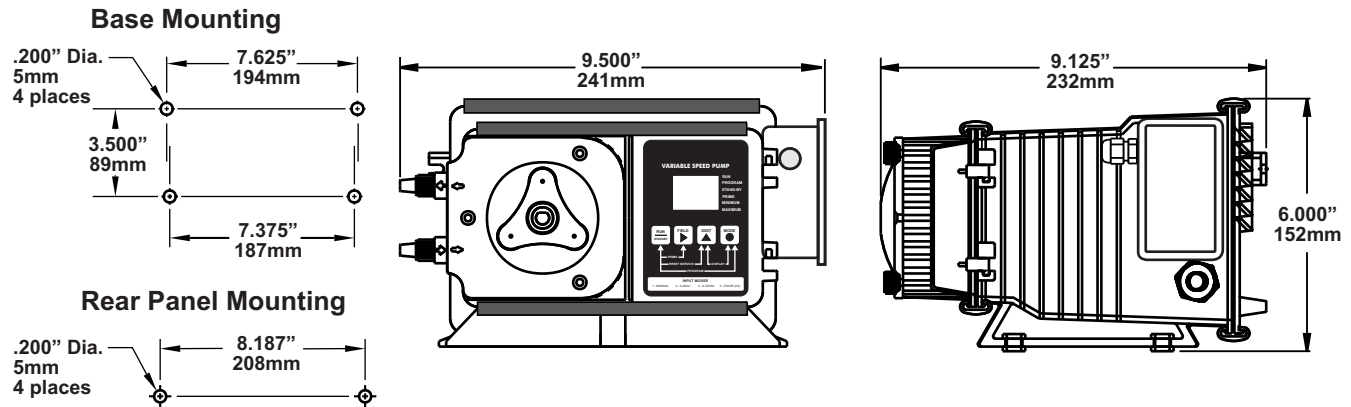


# Blue-White<sup>®</sup>

**FLEXFLO<sup>®</sup> Peristaltic Metering Pumps**

**Industries, Ltd.**

## Dimensions:



## Model Number Matrix:

MODEL A1N [ ] [ ] V - [ ] - [ ]

### Maximum Motor RPM

0 = 14 RPM  
1 = 30 RPM  
2 = 45 RPM  
3 = 60 RPM

### Power Supply

0 = 115V60Hz  
1 = 220V50Hz  
2 = 230V60Hz  
8 = 240V50Hz

### Output Control

V = Digital speed control with external input  
F = Analog speed control  
E = Digital batch timer with external input  
A = Analog timer, 60 sec. Cycle - 100% duty  
C = Analog timer, 5 sec. Cycle - 100% duty  
S = Analog timer, 60 sec. Cycle - 10% duty  
X = No output control - fixed feed rate

### Miscellaneous Options (not required)

1 = T140-6V injector replaces A-014N-6A  
2 = C-340V footvalve replaces C-342-6 strainer  
5 = A-014NK-6A injector PVDF  
6 = Jumper set for digital square wave input  
T7 = 7 gallon chemical tank system  
T15 = 15 gallon chemical tank system  
T30 = 30 gallon chemical tank system  
X = NSF61 certified (ships without accessories)

### Tubing Connection Type

T = Compression tube nuts

### Pump Tube Size and Material

1 = 1/4" OD Flex-A-Thane<sup>®</sup>  
2 = 3/8" OD Flex-A-Thane<sup>®</sup>  
3 = 7/16" OD Flex-A-Thane<sup>®</sup>  
4 = 1/4" OD Flex-A-Prene<sup>®</sup>  
5 = 5/16" OD FKM  
6 = 3/8" OD Flex-A-Prene<sup>®</sup>  
7 = 7/16" OD Flex-A-Prene<sup>®</sup>  
8 = 7/16" OD Flex-A-Chem<sup>®</sup>

## Maximum Flow rate and pressure capacities:

Tube no.	Tubing Material	14 RPM MODELS				30 RPM MODELS				45 RPM MODELS				60 RPM MODELS			
		ml/m	oz/m	lph	gph PSI(bar)	ml/m	oz/m	lph	gph PSI(bar)	ml/m	oz/m	lph	gph PSI(bar)	ml/m	oz/m	lph	gph PSI(bar)
1	Flex-A-Thane <sup>®</sup>	15	0.51	0.90	0.24 65(4.5)	35	1.18	2.10	0.55 65(4.5)	54	1.83	3.24	0.86 65(4.5)	67	2.26	4.02	1.06 65(4.5)
2	Flex-A-Thane <sup>®</sup>	32	1.08	1.92	0.51 65(4.5)	75	2.54	4.50	1.19 65(4.5)	115	3.89	6.90	1.82 65(4.5)	140	4.73	8.40	2.22 65(4.5)
3	Flex-A-Thane <sup>®</sup>	73	2.47	4.37	1.16 50(3.5)	173	5.85	10.38	2.74 50(3.5)	261	8.82	15.66	4.14 50(3.5)	326	11.01	19.56	5.17 50(3.5)
4	Flex-A-Prene <sup>®</sup>	6	0.20	0.36	0.10 100(6.9)	13	0.44	0.78	0.21 100(6.9)	21	0.71	1.26	0.33 100(6.9)	25	0.85	1.50	0.40 75(5.2)
5	FKM	11	0.37	0.66	0.17 25(1.7)	26	0.88	1.56	0.41 25(1.7)	39	1.31	2.34	0.62 25(1.7)	48	1.62	2.88	0.76 25(1.7)
6	Flex-A-Prene <sup>®</sup>	18	0.61	1.08	0.29 100(6.9)	42	1.42	2.52	0.67 100(6.9)	63	2.13	3.78	1.00 100(6.9)	79	2.67	4.74	1.25 75(5.2)
7	Flex-A-Prene <sup>®</sup>	57	1.92	3.42	0.90 50(3.5)	138	4.66	8.28	2.19 50(3.5)	200	6.76	12.00	3.17 50(3.5)	250	8.45	15.00	3.96 50(3.5)
8	Flex-A-Chem <sup>®</sup>	40	1.35	2.40	0.63 50(3.5)	84	2.80	5.04	1.31 50(3.5)	140	4.73	8.40	2.22 50(3.5)	180	6.10	10.80	2.85 50(3.5)

Gallons shown are U.S. Gallons

## Replacement Pump Tubes:

Pump Model Number Suffix	Pump Tube Part Number	Pump Tube Material	Nominal Pump Tube OD
-1T	A1-1T	Flex-A-Thane <sup>®</sup>	1/4" (6,4mm)
-2T	A1-2T	Flex-A-Thane <sup>®</sup>	3/8" (9,5mm)
-3T	A1-3T	Flex-A-Thane <sup>®</sup>	7/16" (11,1mm)
-4T	A1-4T	Flex-A-Prene <sup>®</sup>	1/4" (6,4mm)
-5T	A1-5T	FKM	5/16" (7,9mm)
-6T	A1-6T	Flex-A-Prene <sup>®</sup>	3/8" (9,5mm)
-7T	A1-7T	Flex-A-Prene <sup>®</sup>	7/16" (11,1mm)
-8T	A1-8T	Flex-A-Chem <sup>®</sup>	7/16" (11,1mm)

**Blue-White<sup>®</sup>**  
Industries, Ltd.

5300 Business Drive, Huntington Beach, CA 92649  
Tel: 714-893-8529 Fax: 714-894-9492  
www.blue-white.com Email: sales@blue-white.com

All trademarks are the property of their respective owners.

Technical data sheet #85000-040 rev.10312017