

Information Sheet

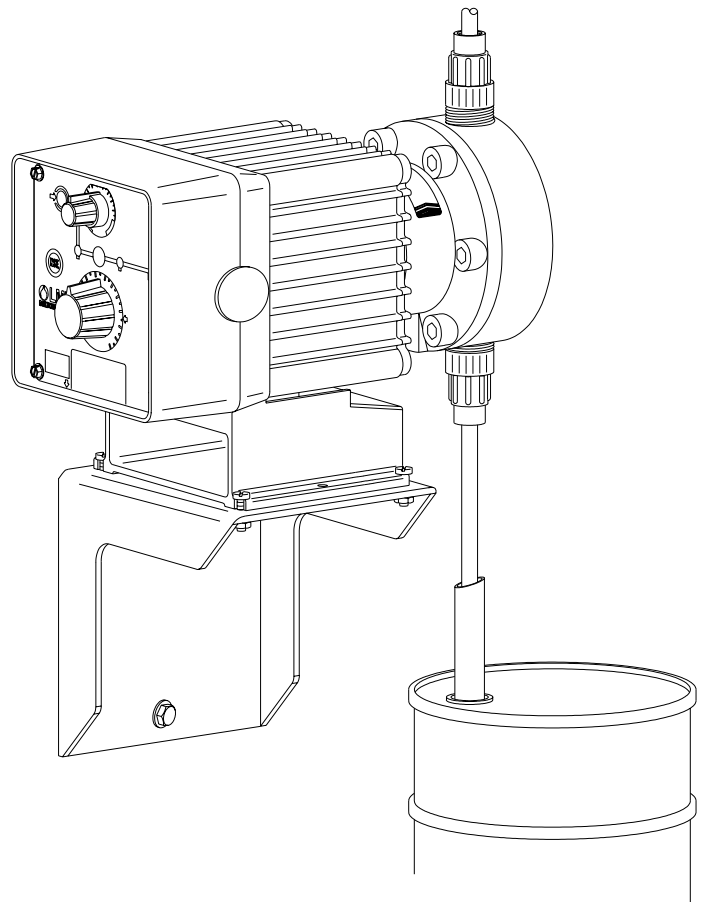
No. 34643 Wall Mounting Bracket Assembly

- Wall mounts any of LMI's Series A, B, C, J, or P pumps
- Rugged, polypropylene bracket provides excellent chemical resistance
- All hardware included for mounting pump and bracket to wall studs, concrete, or hollow block walls
- Provides a stable mounting surface

LMI's Wall Mounting Bracket Assembly allows LMI pumps to face either right or left.

A wall mounted pump is up and away from the solution drum, minimizing the chance for splatters.

A wall mounted pump makes changing solution drums easier. The tubing safety wand can be handled easily and safely, for transferring from empty to full drum.



8 Post Office Square
Acton, MA 01720 USA
TEL: (978) 263-9800
FAX: (978) 264-9172
<http://www.lmipumps.com>



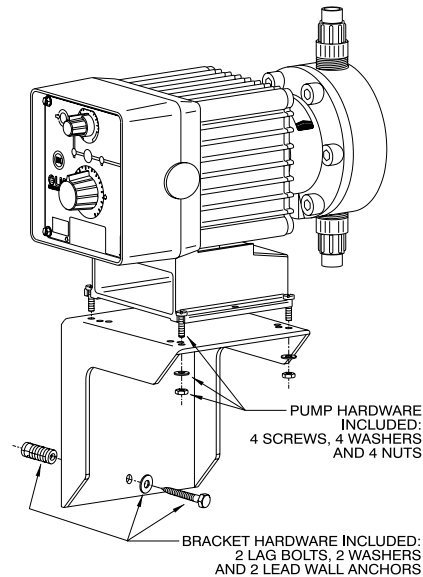
Replaces same of Rev. B 6/96
1741.C 9/97

Instruction Sheet

No. 34643 Wall Mounting Bracket Assembly

Mounting Instructions

1. Pre-drill the studs of your wall using a 3/16" (4.8 mm) drill bit. For concrete or hollow block walls use a 1/2" (12.5 mm) drill bit. In either case, drill to a depth of approximately 1-1/2" (38 mm).
2. Two (2) lag bolts and washers are supplied for affixing the bracket to your wall. Two (2) lead anchors are also supplied for use with concrete or hollow block walls.
3. Position pump on bracket facing right or left. Mounting hardware is included for securing the pump to the bracket and bracket to wall. Use the proper mounting holes indicated for your pump series.



Dimensions

