

# Instruction **Supplement**

## Single pH or ORP (Redox) Probe Manifold Flat Surface Probe Tee and Fittings (LMI Part Number 35655)

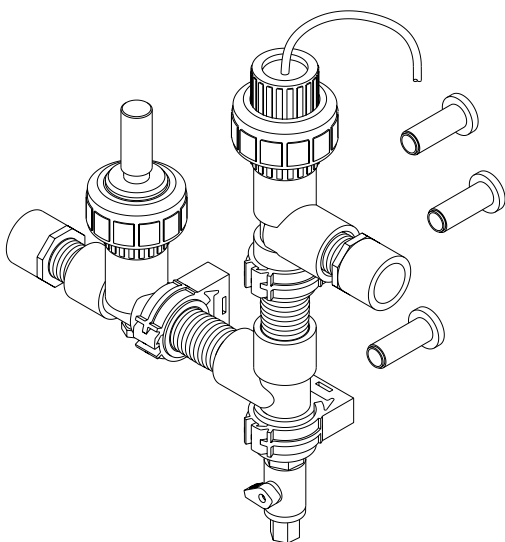


### IMPORTANT

The threaded fittings (with the PTFE tape) in the manifolds are only hand tightened when shipped. When installing, ensure that all these fittings are *fully tightened* to prevent leaking.



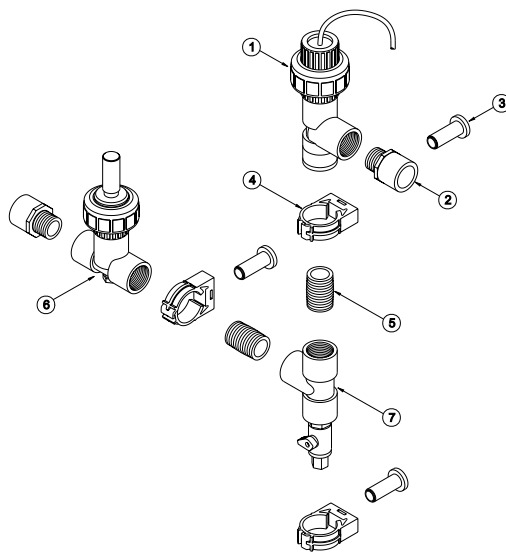
#### Assembled View



LMI Part Number 35655  
Single Flat Surface pH/ORP Manifold

- |   |       |                                  |
|---|-------|----------------------------------|
| 1 | 36130 | Flow Switch                      |
| 2 | 36044 | 3/4" NPT Thread to FSLIP Adaptor |
| 3 | 34541 | Standoff                         |
| 4 | 32829 | Clamp                            |
| 5 | 29575 | Nipple                           |
| 6 | 35662 | Tee Assembly                     |
| 7 | 35666 | Sample Valve                     |

- Manifold includes:
  - Single pH/ORP 3/4" NPT threaded Tee for Flat Surface style probe
  - Sample Valve
  - 0.75 gallon per minute Flow Rate Switch
  - Back Flow Check Valve
  - Mounting Brackets and Hardware
  - Two 3/4" NPT to FSLIP Adaptors
- All individual Tee assembly components of manifold are 3/4" NPT to allow for ease of assembly/disassembly
- Pressure tested to 100 psi



Exploded View



8 Post Office Square  
Acton, MA 01820 USA  
TEL: (978) 263-9800  
FAX: (978) 264-9172  
<http://www.lmipumps.com>



© 1999 LMI Milton Roy - All Rights Reserved  
Printed in USA  
Specifications subject to change without notice.

Replaces same of Rev. A 3/98  
1901.B 8/99