



FEATURES

- Single-jet meter
- Compact brass body
- Union couplings
- Easy installation and maintenance
- Interfaces with many controls and displays

APPLICATIONS

- Industrial control operations
- Low flow situations
- Clean water



GENERAL INFORMATION

The SEB is a plated brass low flow meter suited for clean water. It is available in 1/2" and 3/4" thread, with union-type meter couplings for easy installation and service. This meter is ideal for flow rates between 0.2 and 18 GPM. The SEB has only one moving part, the propeller.

A 5-30 Vdc square wave output makes the SEB ideal for many industrial control applications. This signal interfaces easily with programmable logic controllers and computer input boards. SEB meters can also be used in conjunction with the Seametrics FT420 flow computer for reading flow rate and total flow, or AO55 for 4-20 mA output. For metering pump pacing applications, a standard PD10 pulse divider is recommended.

SPECIFICATIONS*

Sensor	GMR 5-30 Vdc current sinking pulse	
Fittings	1/2", 3/4" male NPT union couplings	
Materials	Body	Nickel-plated brass
	Rotor Chamber	Brass
	Rotor	Thermoplastic
	Shaft	Tungsten carbide
	Bearings	Water-cooled thermoplastic
Maximum Temperature	185° F (85° C)	
Maximum Pressure	175 psi (12 bar)	
Cable	#22 AWG 3-cond, 12' Maximum run 2,000' (610 m)	
Flow Range	1/2": 0.2 - 10 gallons per minute	
	3/4": 0.2 - 18 gallons per minute	
Standard K-Factor	1/2": 550 pulses per gallon	
	3/4": 330 pulses per gallon	
Accuracy	+/- 1% of full scale	

*Specifications subject to change. Please consult our website for the most current data (www.seametrics.com).

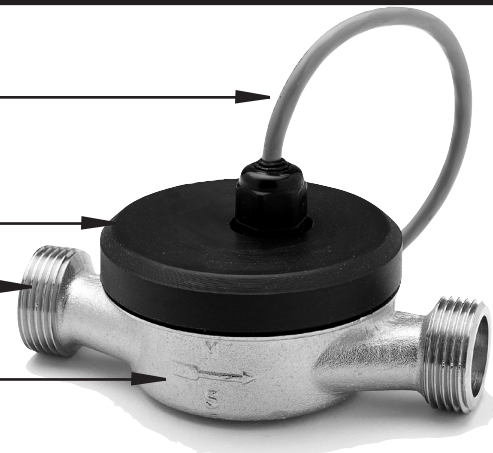
FEATURES

Hall-effect 12 Vdc signal interfaces with a variety of electronics

Removeable top contains electronics, isolated from fluid

Union ends with couplings
Easy installation and service

Compact nickel-plated body

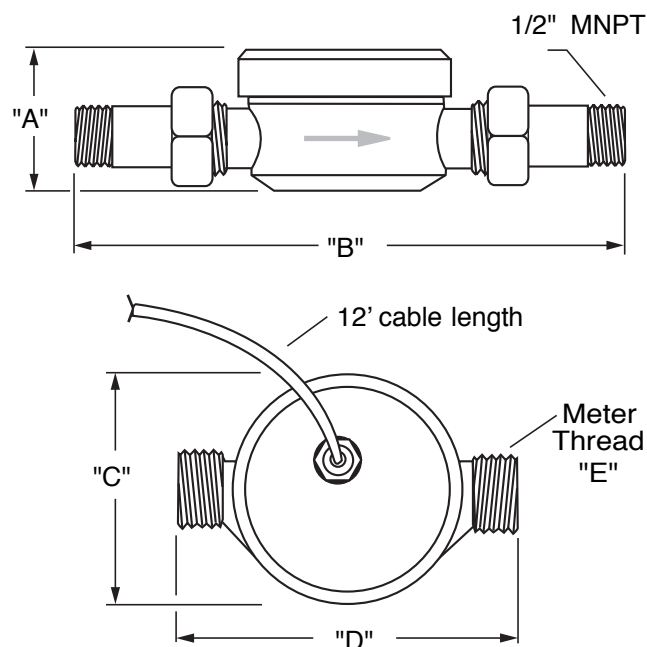


INSTALLATION and MAINTENANCE

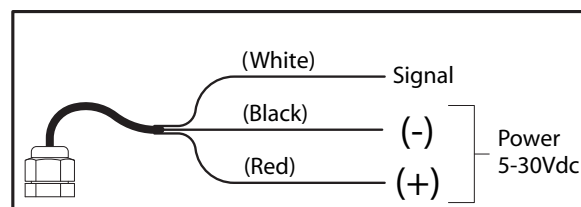
Installation. Single-jet meters like the SEB are somewhat insensitive to upstream and downstream flow conditions. For best results, however, upstream and downstream straight pipe of five pipe diameters is recommended.

Maintenance. The SEB's Hall-effect sensor and cap are field-replaceable.

DIMENSIONS



SENSOR CONNECTION



Dimension	1/2"	3/4"
A	2.5	2.5
B	9.2	10.4
C	2.8	2.8
D	4.35	5.1
E	3/4" BSP	1" BSP

HOW TO ORDER

MODEL SEB	SIZE 1/2" = -050 3/4" = -075
SEB	
ACCESSORIES	
Remote rate and total display = FT420W Pulse divider = PD10	
4-20 mA output = AO55W	

CONTACT YOUR SUPPLIER