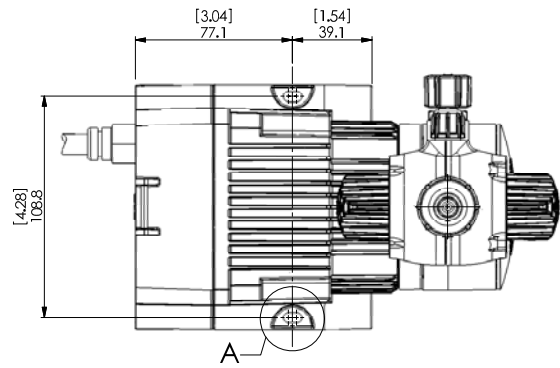
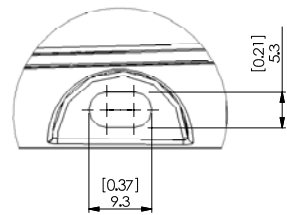
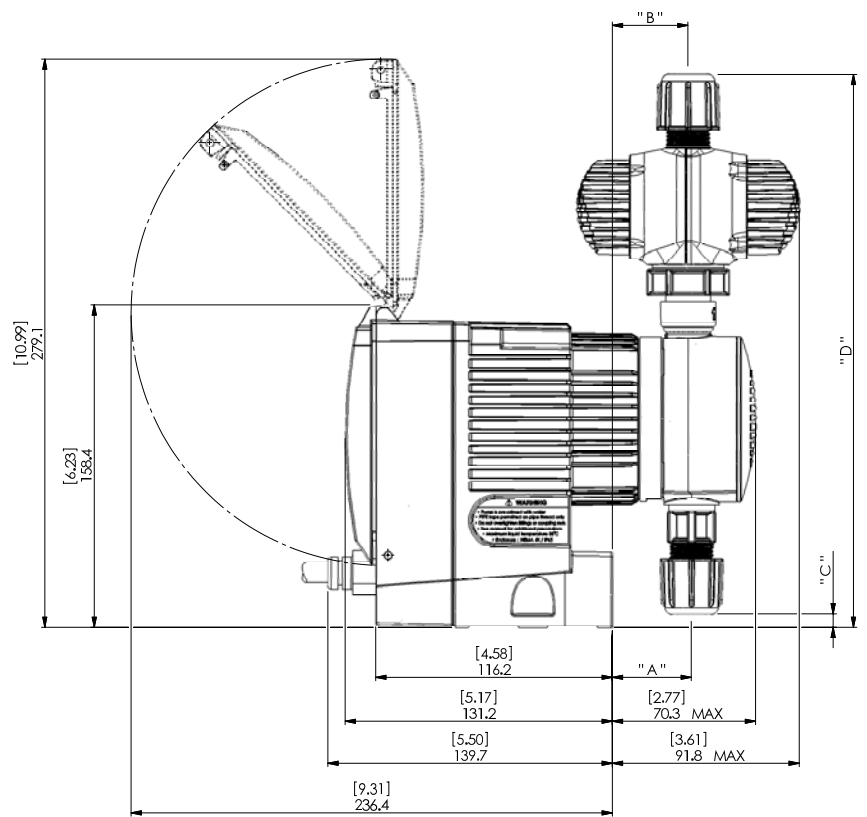
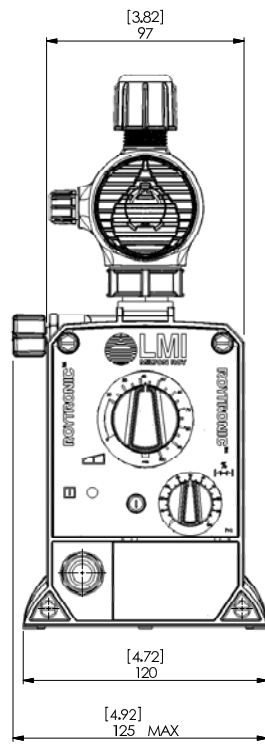


A (2:1)



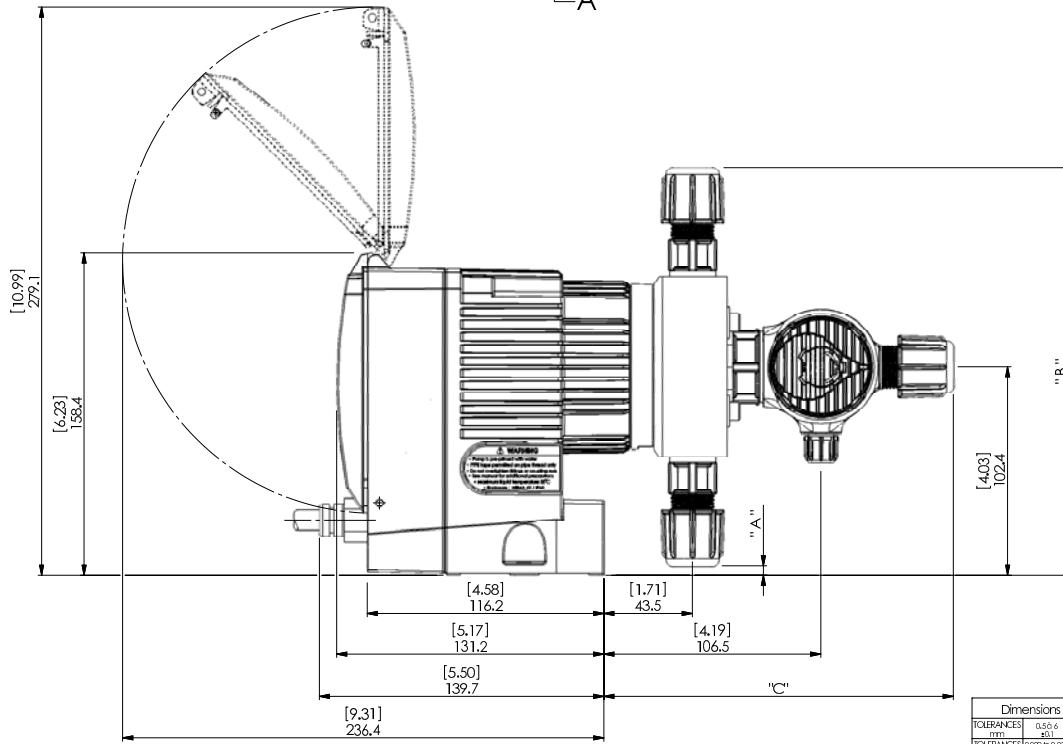
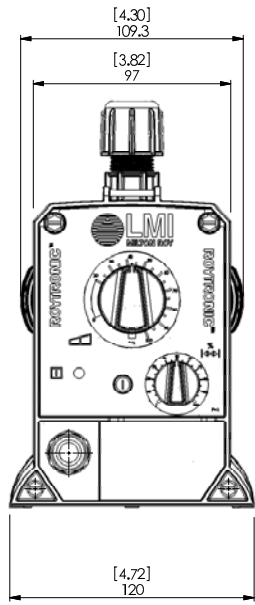
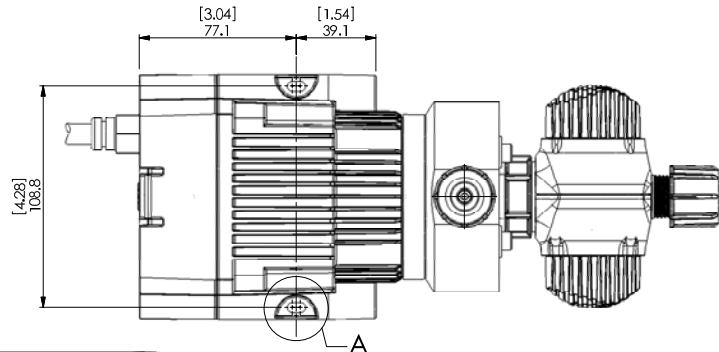
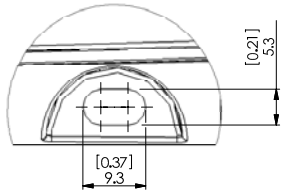
LIQUID END MODEL	"A"	"B"	"C"	"D"
LE - 7XXNX	[1.53] 38.8	[1.46] 37.1	[0.59] 14.9	[8.09] 205.5
LE - 7XXSX	[1.53] 38.8	[1.46] 37.1	[0.59] 14.9	[10.70] 271.7
LE - 8XXNX	[1.53] 38.8	[1.46] 37.1	[0.26] 6.6	[8.42] 213.8
LE - 8XXSX	[1.53] 38.8	[1.46] 37.1	[0.26] 6.6	[10.70] 271.7
LE - 91XXNX, LE - 92XXNX, LE - 93XXNX	[1.71] 43.5	[1.71] 43.5	[0.35] 8.8	[7.72] 196
LE - 91XXSX, LE - 92XXSX, LE - 93XXSX	[1.71] 43.5	[1.71] 43.5	[0.35] 8.8	[10.00] 253.9
LE - 94XXNX	[1.71] 43.5	[1.71] 43.5	[0.18] 4.5	[7.89] 200.3
LE - 94XXSX	[1.71] 43.5	[1.71] 43.5	[0.18] 4.5	[10.17] 258.2



22JAN08	11434	DHG	RJC	00
Date	ECN	Dessiné-Drawn / Visé	Vérfié-Checked / Visa	REV
Dimensions Linéaires mm - Linear Dimensions [inches]		ANGLES		
TOLERANCES	0.5-6	6-30	30-100	100-400
mm	±0.1	±0.2	±0.3	±0.5
INCHES	0.002	0.003	0.004	0.005
TOLERANCES	0.002	0.003	0.004	0.005
INCHES	±0.04	±0.08	±0.12	±0.15
DESCRIPTION		TOLERANCES Géométriques Geometric Tolerances		
P+ CUSTOMER DRAWING				
Matériau - Material				
FORMAT	Ech - Scale	Folio - Sheet	NUMERO PLAN - DRAWING NUMBER	
A2	3:5	1 / 2	49027	
Ne faire pas le dessin d'echelle Do not scale drawing			REV	
Propriété exclusive - Communication et reproduction interdites. All rights reserved - Copyright MILTON ROY COMPANY			00	
Confidential document. Disclosure without permission forbidden. All rights reserved - Copyright MILTON ROY COMPANY				

LIQUID END MODEL	"A"	"B"	"C"
LE-91XAI, LE-92XAI, LE-93XAI	[0,35] 8,9	[7,71] 195,9	[4,48] 113,7
LE-94XAI	[0,18] 4,6	[7,88] 200,2	[4,48] 113,7
LE-91XH-I, LE-92XH-I, LE-93XH-I	[0,35] 8,9	[7,71] 195,9	[6,76] 171,6
LE-94XH-I	[0,18] 4,6	[7,88] 200,2	[6,76] 171,6

A (2:1)



Dimensions Linéaires mm - Linear Dimensions (Inches)		ANGLES	R1 RNE1	Tolérances Géométriques									
TOLERANCES	0,50-6	60-30	300-120	1200-600	2000-6400	12	±1/2"	<3,2	⊥	≡	∥	⊙	
mm	±0,1	±0,2	±0,3	±0,5	±0,8	±1,2							
TOLERANCES	0,020-0,236	0,236-0,181	1,181-0,4294	4,724-15,243	15,730-30,37	30,37-75,24	75,24-157,48	±1/2"	125/100	0,4	0,5	0,2	0,02
(INCHES)	±0,004	±0,008	±0,012	±0,020	±0,031	±0,04	±0,07			(0,016)	(0,020)	(0,025)	(0,001)
DESCRIPTION													
P+ CUSTOMER DRAWING													
Matière - Material													
FORMAT	A2	Ech - Scale	3:5	Folio - Sheet	2 / 2	Ne faire pas le dessin d'atelier Do not scale drawing		NUMERO PLAN - DRAWING NUMBER	49027		REV	00	
Propriété exclusive - Communication et reproduction interdites. All rights reserved - Copyright MILTON ROY COMPANY Confidential document. Disclosure without permission forbidden. All rights reserved - Copyright MILTON ROY COMPANY													