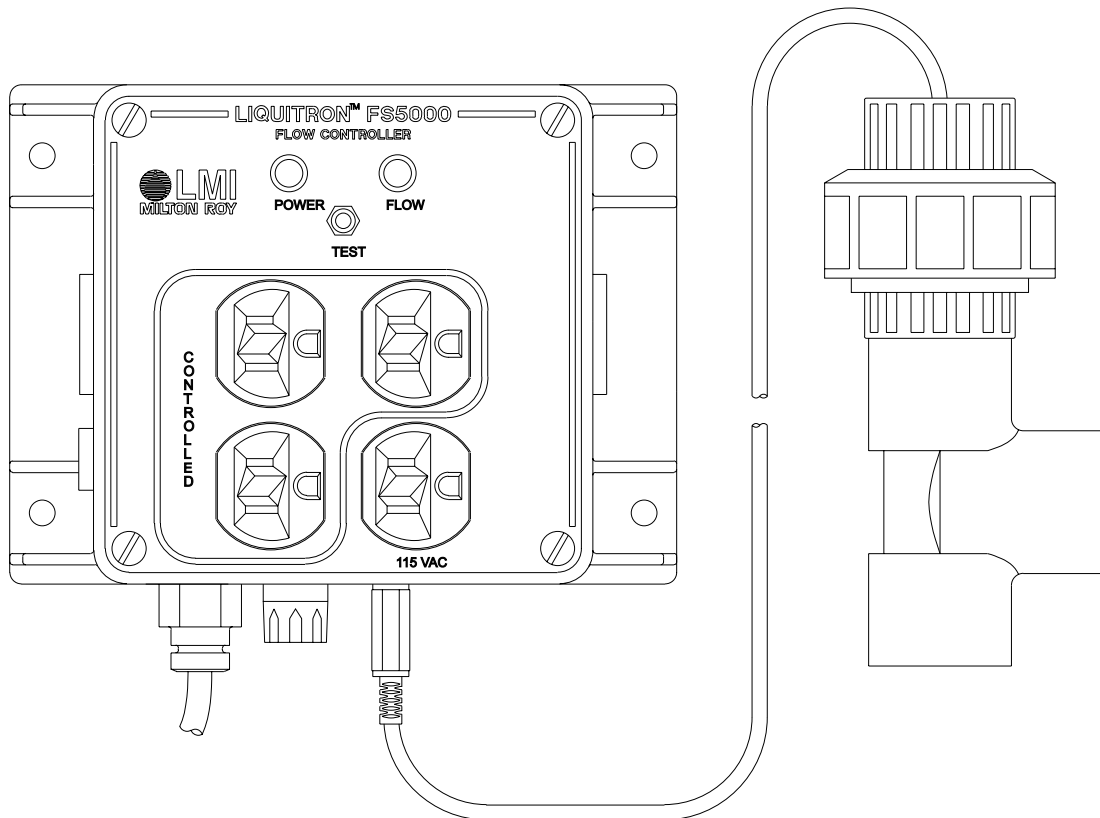


Liquitron™ FS5000 Series Flow Switch Controller



The **LMI FS5000 Flow Switch Controller** is intended to be used in applications that require flow / no-flow control of metering pumps and other devices. Power is supplied to the controlled outlets when flow through the flow switch exceeds 0.75 GPM (gallons per minute).

The **FS5000** is 15 amp fuse protected and includes three controlled 115 VAC, 50/60 Hz outlets and one 115 VAC, 50/60 Hz service outlet.

Features

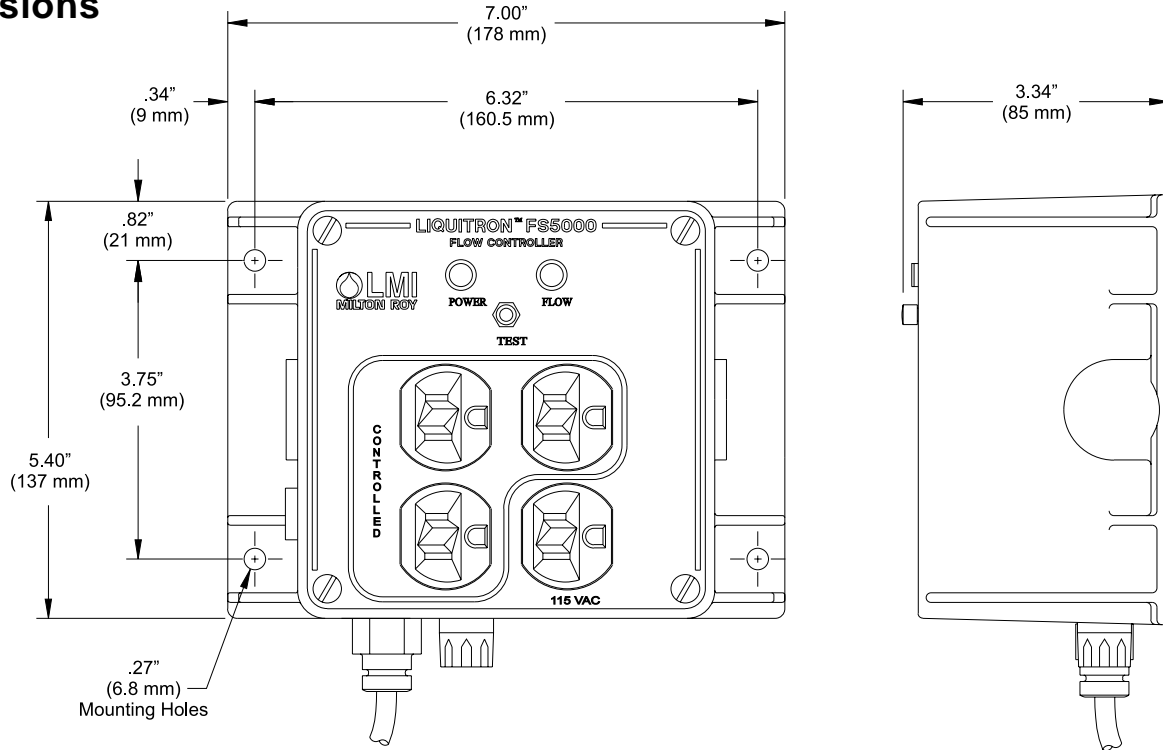
- Three controlled 115 VAC Outlets energized with flow
- One 115 VAC Service Outlet
- LED Indicators for power and flow
- Test Switch for manual circuit test
- 15 amp Fuse protected



8 Post Office Square
Acton, MA 01720 USA
TEL: (978) 263-9800
FAX: (978) 264-9172
<http://www.lmipumps.com>



Dimensions



Specifications

Maximum Temperature: 140° F (60° C)

Maximum Pressure: 100 psi (10.3 Bar) @ 100° F (38° C)

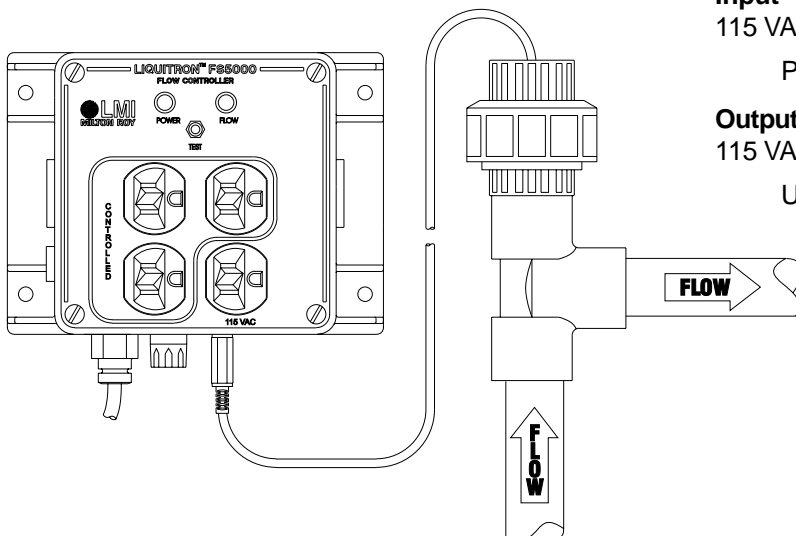
Transmitter: Reed Switch

Materials of Construction: Sch. 80 PVC

Connections: 3/4" FSLIP

Typical Installation

Three controlled outlets energize with flow over 0.75 GPM



Electrical

Input

115 VAC, 50/60 Hz

Prewired with 6 ft grounded power cord and plug

Output

115 VAC, 50/60 Hz

Unit fused for 15 amps total load