

# Information Sheet

## Flow Control Valves & Orifice Union



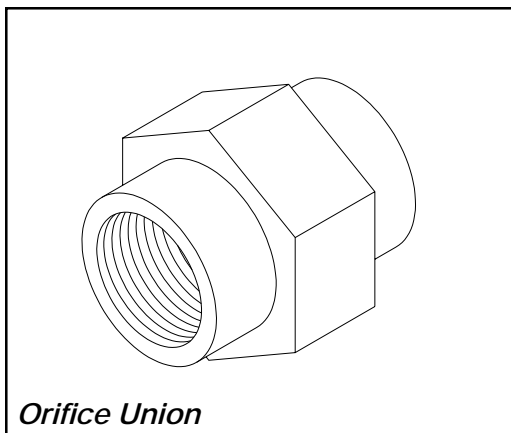
*Flow Control Valve*

The *Flow Control Valve* is part of LMI's *Boiler Conductivity Monitor and Blowdown System*. The valve is used to control the blowdown rate in order to prevent steam from flashing across the conductivity probe. Plumbing connections of 1/2" or 3/4" are available for the valves. Orifice unions may also be used to control the blowdown rate. Union and plate options are listed below.

PART NO.	PRESSURE	PLUMBING	WEIGHT
35201	800 psi (55 Bar)	1/2"	7 lbs. (3.2 kg)
35202	800 psi (55 Bar)	3/4"	7 lbs. (3.2 kg)
35203	1500 psi (104 Bar)	1/2"	14 lbs. (6.4 kg)
35204	1500 psi (104 Bar)	3/4"	14 lbs. (6.4 kg)

**SPECIFICATIONS**

Carbon Steel Body  
316 Stainless Steel Bonnet, Stem, Disc, Seat  
Micrometer dial for set point  
Temperature: 800° F (426° C)



*Orifice Union*

PART NO.	DESCRIPTION
35207	Union with 4 Plates
35208	Union with 4 Drilled Plates - 1/8" 3/16" 1/4" 5/16"
35206	Union
35210	4 Plates
35211	4 Drilled Plates - 1/8" 3/16" 1/4" 5/16"

**SPECIFICATIONS**

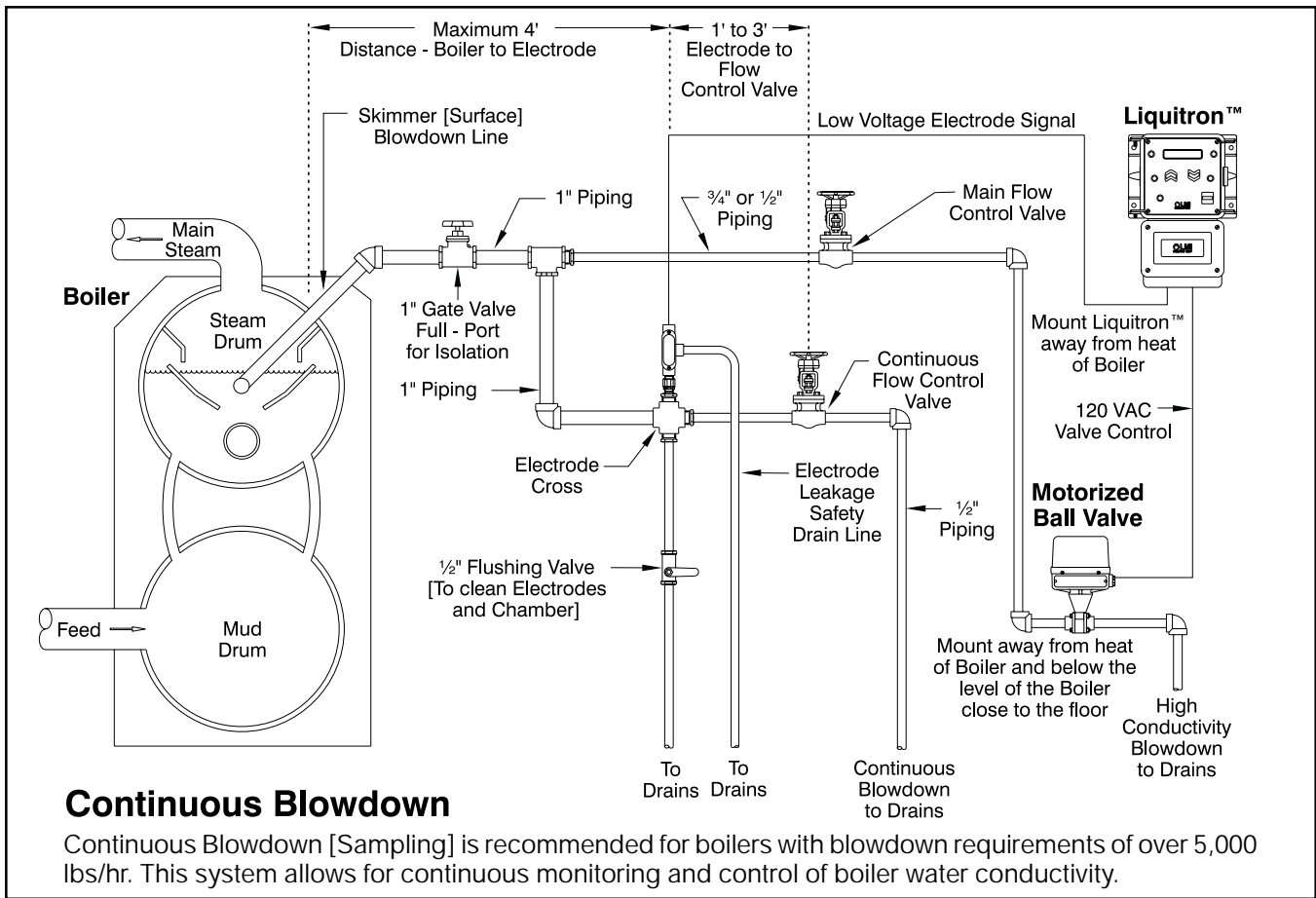
Carbon Steel Body ASTM A-105, 1" NPT Plumbing  
316 Stainless Steel Plate, Beveled - Tabbed Orifice Union  
3000 psi (207 Bar)  
Temperature: 500° F (259° C)



8 Post Office Square  
Acton, MA 01720 USA  
TEL: (978) 263-9800  
FAX: (978) 264-9172  
<http://www.lmipumps.com>



Replaces same of A 2/97  
1770.A 10/97



### Recommended System Installations

