

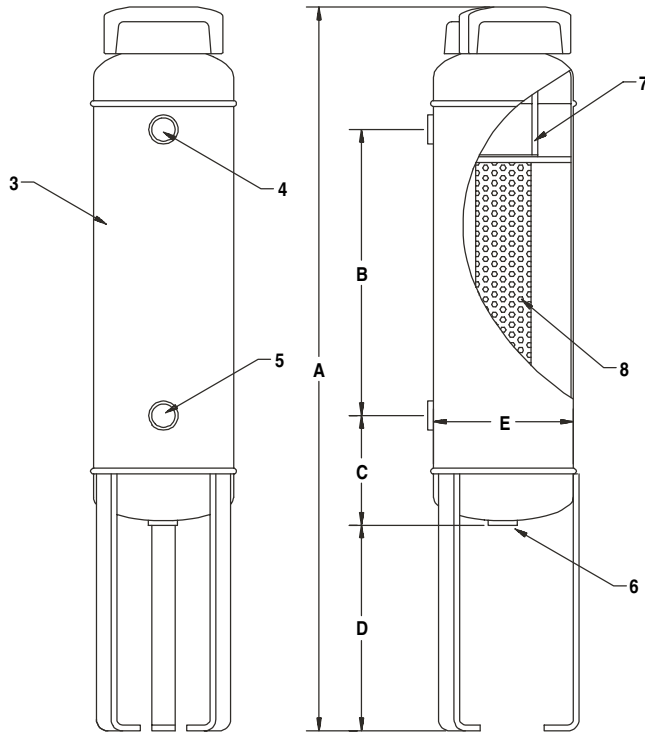
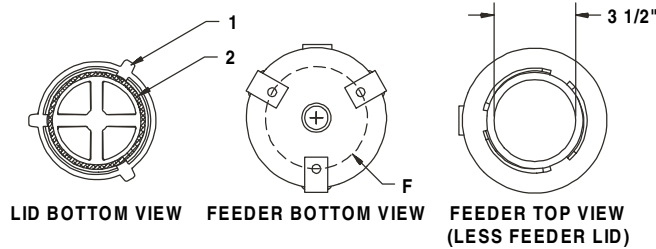
J.L. WINGERT CO.

P.O. Box 6207 • Garden Grove, CA 92846-6207 / 11800 Monarch Street • Garden Grove, CA 92841-2113
 Phone (714) 379-5519 • Fax (714) 379-5549 ■ Email: customerservice@jllwingert.com
 Northern California Region • Phone (510) 487-5310 ■ Southwest Region • Phone (602) 470-1015
 www.jllwingert.com

MANUFACTURING: Mixers, Bypass Feeders, Filter Feeders, Bromine Feeders, Sample Coolers, Sludge Traps, Separators, Separator Systems, Tank Stands,
 Tank Package Systems, Glycol Feed Systems, Coupon Racks, Control Stations, NEMA Enclosures, Custom Packaged Systems and Specialty Welding

Specification Sheet #032008 Rev. "E" (12/99)

DOME BOTTOM FILTER FEEDERS



PARTS, MATERIALS AND SPECIFICATIONS:

KEY	PART	SPECIFICATIONS
1	3071	CLOSURE: 3 1/2" cast iron, 1/4 turn closure. (O-ring included)
2	3072	O-RING: Buna-N O-ring 200° F
3		BODY: Carbon steel
4		INLET: 3/4" FNPT
5		OUTLET: 3/4" FNPT
6		DRAIN: 3/4" FNPT
7	3128	BASKET: 304 stainless steel basket (2.5"D x 9"L)
	3129	BASKET: 304 stainless steel basket (2.5"D x 24"L)
8	3131	FILTER: 25 micron bag (2"D x 9"L / 28 in ²)
	3132	FILTER: 25 micron bag (2.5"D x 24"L / 75 in ²)
MAX. PRESSURE		200 PSI (13.6 BAR)
MAX. TEMPERATURE		200° F (93° C)

VOLUME (FILL CAPACITY)

MODEL	GALLONS	LITERS
F-DB-2HD	2.39	9.04
F-DB-5HD	6.30	23.85
F-DB-12HD	13.28	50.27

DIMENSIONS, WEIGHT & CUBE:

KEY	F-DB-2HD	F-DB-5HD	F-DB-12HD
A	31 3/8"	31 5/8"	52 1/8"
B	12 1/2"	10 3/4"	31"
C	4 3/4"	6 1/2"	6 1/2"
D	8 3/4"	7 3/4"	7 3/4"
E	6"	10"	10"
F	4"	8"	8"
WEIGHT	23 lbs. (10.4 kgs.)	41 lbs. (18.6 kgs.)	67 lbs. (30.4 kgs.)
CUBE	6" X 6" X 32"	10" X 10" X 32"	10" X 10" X 53"

Note: All dimensions are +/- 1/8". All weights are approximate. All dimensions are subject to change without notice.

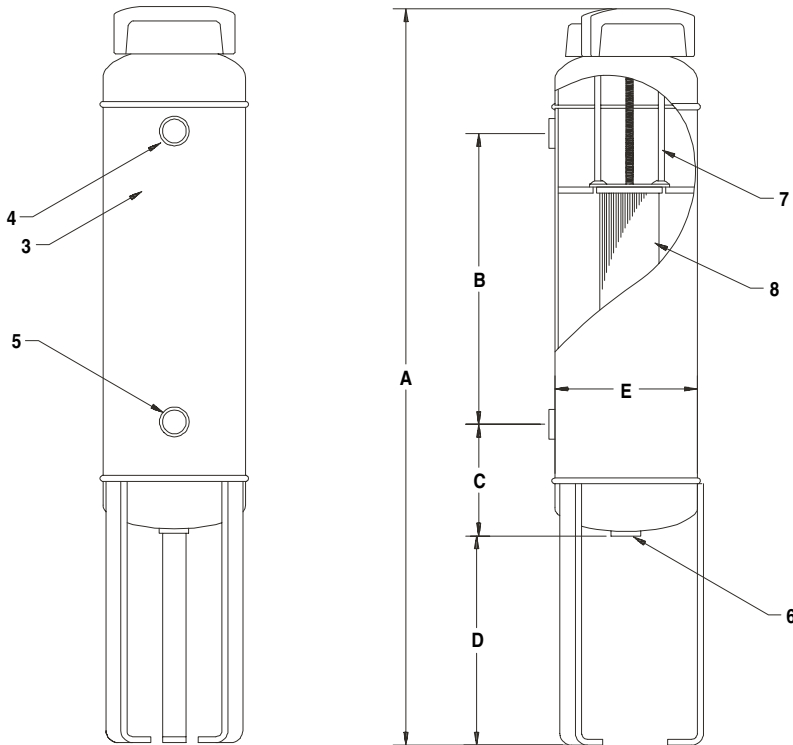
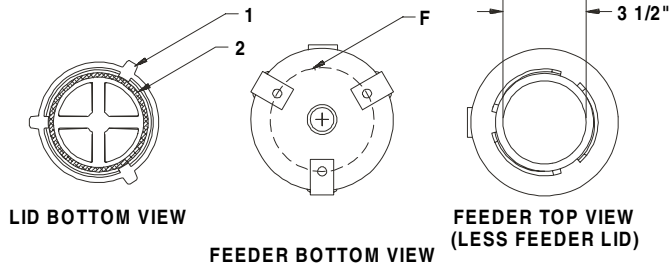
J.L. WINGERT CO.

P.O. Box 6207 • Garden Grove, CA 92846-6207 / 11800 Monarch Street • Garden Grove, CA 92841-2113
 Phone (714) 379-5519 • Fax (714) 379-5549 ■ Email: customerservice@jllwingert.com
 Northern California Region • Phone (510) 487-5310 ■ Southwest Region • Phone (602) 470-1015
 www.jllwingert.com

MANUFACTURING: Mixers, Bypass Feeders, Filter Feeders, Bromine Feeders, Sample Coolers, Sludge Traps, Separators, Separator Systems, Tank Stands,
 Tank Package Systems, Glycol Feed Systems, Coupon Racks, Control Stations, NEMA Enclosures, Custom Packaged Systems and Specialty Welding

Specification Sheet #032012 Rev. "C" (3/00)

DOME BOTTOM PLEATED FILTER FEEDERS



PARTS, MATERIALS AND SPECIFICATIONS:

KEY	PART	SPECIFICATIONS
1	3071	CLOSURE: 3 1/2" cast iron, 1/4 turn closure (o-ring included)
2	3072	O-RING: Buna-N o-ring - 200° F
3		BODY: Carbon steel
4		OUTLET: 3/4" FNPT
5		INLET: 3/4" FNPT
6		DRAIN: 3/4" FNPT
7	3186	PLEATED FILTER HANGER: 304 stainless steel hanger
8	3187	FILTER: 20 micron high temp. pleated filter (10" long)
MAX. PRESSURE		200 PSI (13.6 BAR)
MAX. TEMPERATURE		200° F (93° C)

VOLUME (FILL CAPACITY)

MODEL	GALLONS	LITERS	FILTRATION CAPACITY
PF-DB-2HD	2.39	9.04	1.70 GL
PF-DB-5HD	6.30	23.85	4.42 GL

DIMENSIONS, WEIGHT & CUBE:

KEY	PF-DB-2HD	PF-DB-5HD
A	31 3/8"	31 5/8"
B	12 1/2"	10 3/4"
C	4 3/4"	6 1/2"
D	8 3/4"	7 3/4"
E	6"	10"
F	4"	8"
WEIGHT	23 lbs. (10.4 kgs.)	41 lbs. (18.6 kgs.)
CUBE	6" X 6" X 32"	10" X 10" X 32"

Note: All dimensions are +/- 1/8". All weights are approximate. All dimensions are subject to change without notice.