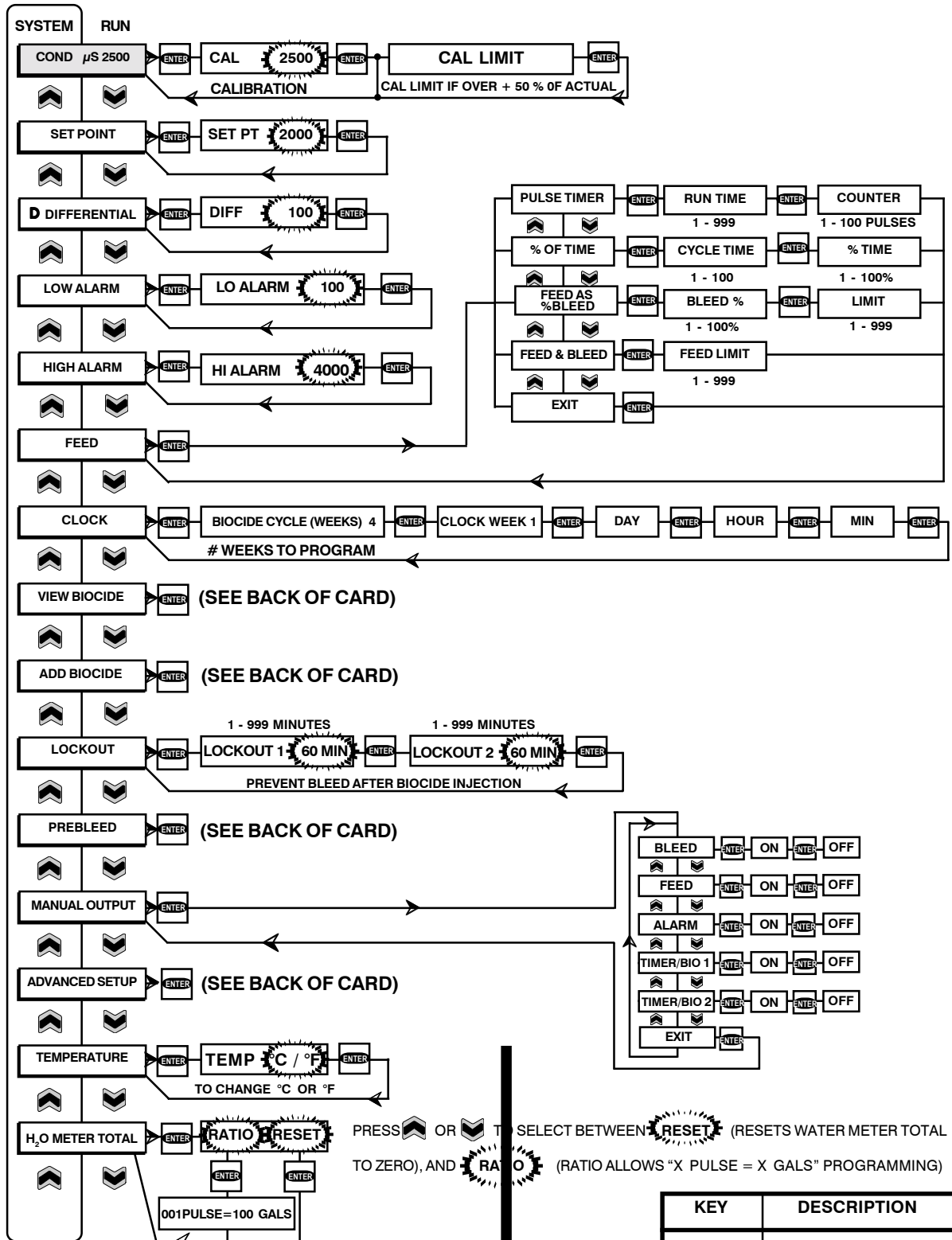


DC4500 Conductivity Controller - Programming Quick Card



PRESS OR TO SELECT BETWEEN (RESET) (RESETS WATER METER TOTAL TO ZERO), AND (RATIO) (RATIO ALLOWS "X PULSE = X GALS" PROGRAMMING)

KEY	DESCRIPTION
	USE OR TO CHANGE VALUE

ISO 9001 Certified



ISO 9001 Certified

Replaces same of Rev. B 6/97
1781.C 9/99



DC4500 Conductivity Controller - Programming Quick Card

BIO 1/2 WEEK DAY ON TIME PUMP DURATION

