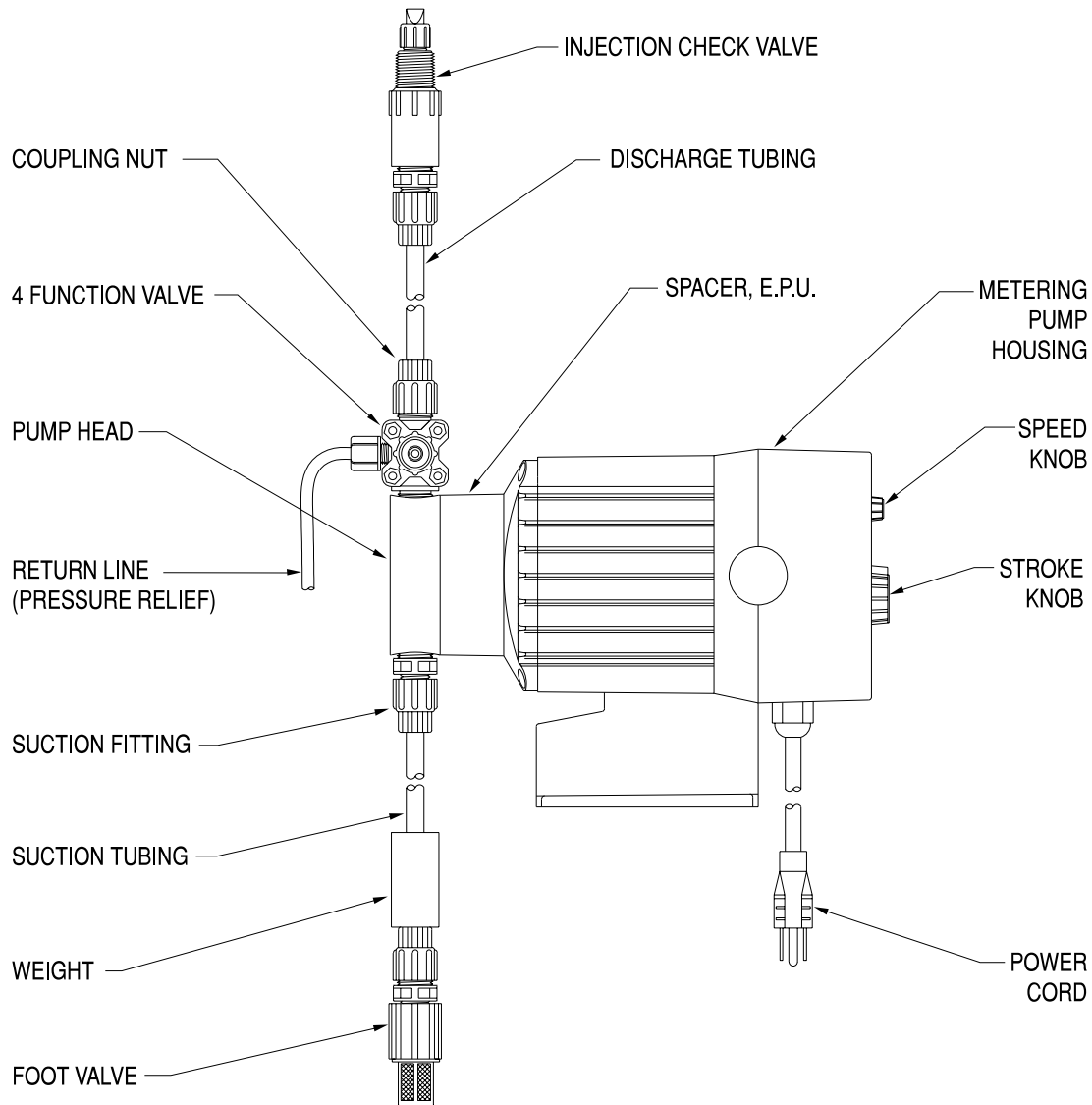


Instruction Supplement

Series B7

Electronic Metering Pump



Metering Pump Component Diagram

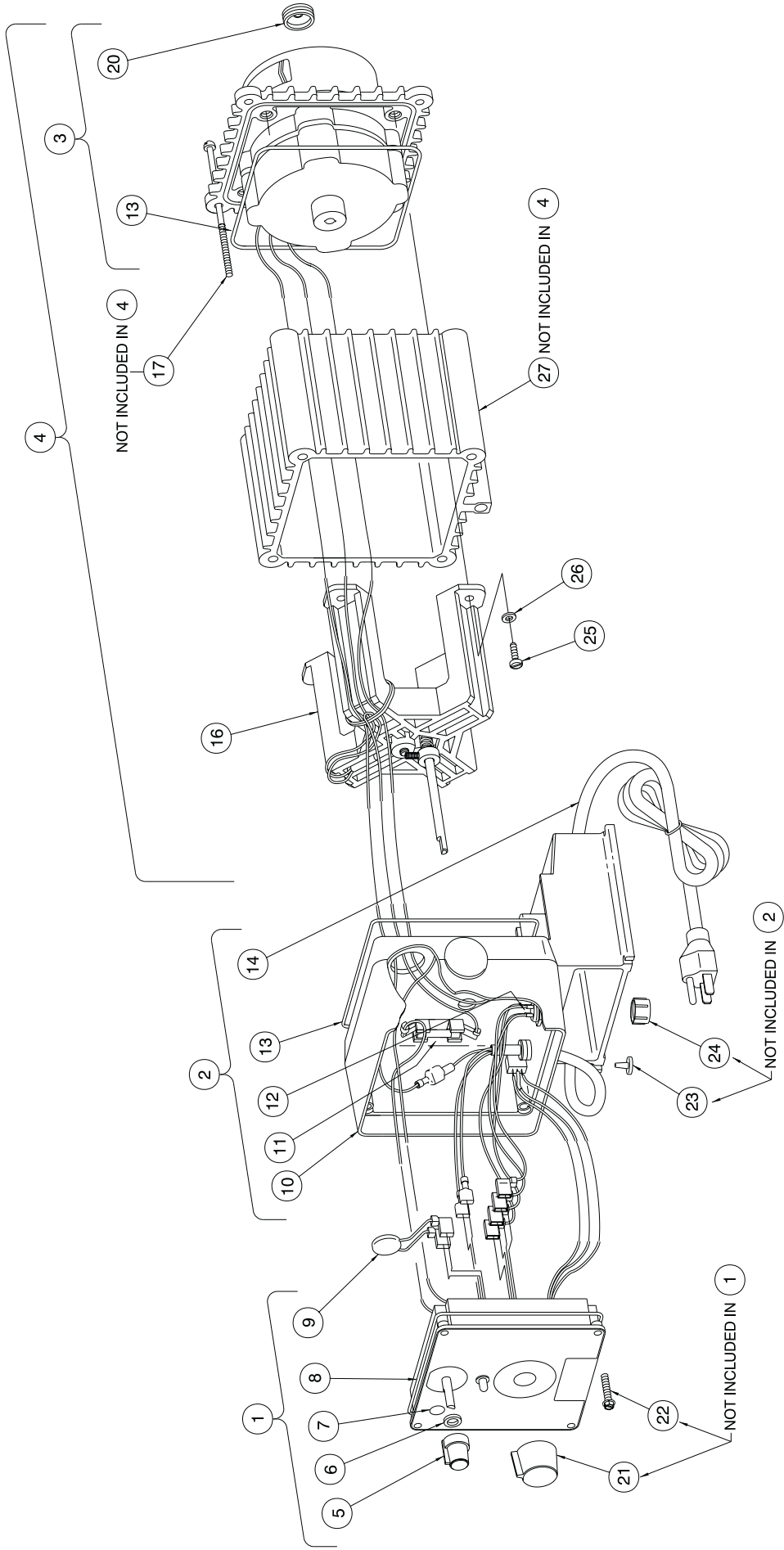


8 Post Office Square
Acton, MA 01720 USA
TEL: (978) 263-9800
FAX: (978) 264-9172
<http://www.lmipumps.com>



Replaces same of Rev. F 4/96
1636.G 12/97

Series B7 Drive Assembly Exploded View Diagram

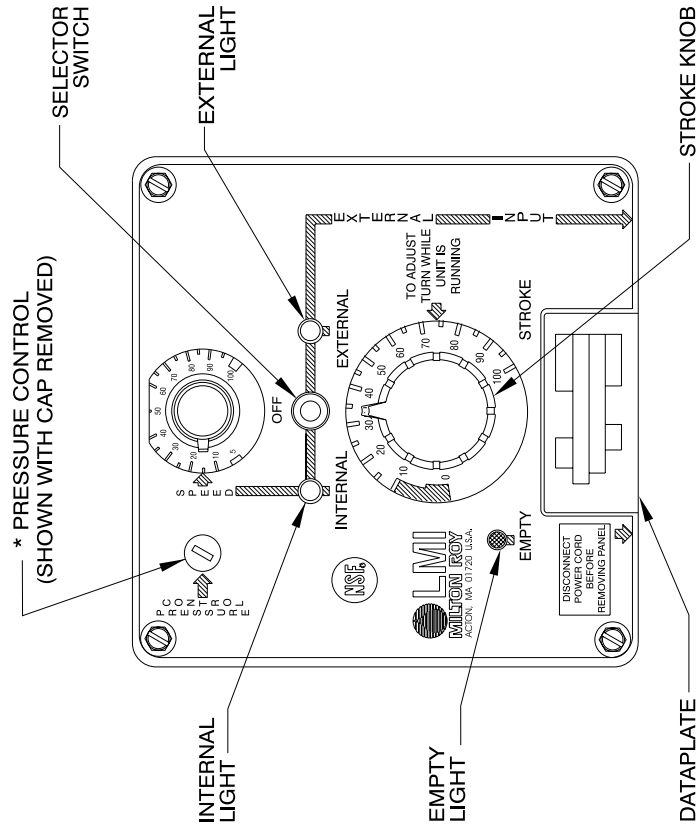


Series B7 Drive Assembly Parts List

Key No.	Model Series	Part No.	Description	Qty.
1	B711	34093	Control Panel Assembly, 120V	1
	B721, B731, B741	33211	Control Panel Assembly, 120V	1
	B712, B713, B715, B716, B717	34094	Control Panel Assembly, 230V	1
	B722, B723, B725, B726, B727	33212	Control Panel Assembly, 230V	1
	B732, B733, B735, B736, B737 B742, B743, B745, B746, B747			
2	B711, B721, B731, B741	28970	Housing Assembly, 120V	1
	B712, B722, B732, B742	28980	Housing Assembly, 230V	1
	B713, B723, B733, B743	28981	Housing Assembly, 220-240V DIN	1
	B715, B725, B735, B745	28982	Housing Assembly, 220-240V UK	1
	B716, B726, B736, B746	28983	Housing Assembly, 220-240V AUSTR	1
	B717, B727, B737, B747	28984	Housing Assembly, 220-240V SWISS	1
	B711, B721	26893		
3	B712, B713, B715, B716, B717	26894		
	B722, B723, B725, B726, B727			
	B731	26897	EPU and Spacer Assembly	1
	B732, B733, B735, B736, B737	26898		
	B741	29618		
	B742, B743, B745, B746, B747	29619		
	B711, B721	31927		
4	B712, B713, B715, B716, B717	31928		
	B722, B723, B725, B726, B727			
	B731	31929	EPU and Spacer Assembly w/ Stroke Adj.	1
	B732, B733, B735, B736, B737	31930		
	B741	31931		
	B742, B743, B745, B746, B747	31932		
	B7	30709	Knob, Push On	1
5	B7	30803	Gasket	1
	B7	29093	Cap	1
6	B7	10166	O-Ring	1
	B7			
7	B7			
	B7			
8	B7			
	B7			

Key No.	Model Series	Part No.	Description	Qty.
9	B711, B721, B731, B741	10626	Varistor Assembly, 120V	1
	B712, B713, B715, B716, B717			
	B722, B723, B725, B726, B727	10627	Varistor Assembly, 230V	1
	B732, B733, B735, B736, B737			
	B742, B743, B745, B746, B747			
10	B7	35404-1	Housing	1
	B711, B721, B731, B741	25825	Fuse, 4A Rectifier	2
11	B712, B713, B715, B716, B717			
	B722, B723, B725, B726, B727	25824	Fuse, 2A Rectifier	2
	B732, B733, B735, B736, B737			
	B742, B743, B745, B746, B747			
	B7	25907	Jack Assembly	1
13	B7	35269	Seal	2
	B711, B721, B731, B741	26293	Power Cord, 120V	
14	B712, B722, B732, B742	26296	Power Cord, 230V	
	B713, B723, B733, B743	26297	Power Cord, 220-240V DIN	1
	B715, B725, B735, B745	26817	Power Cord 220-240V UK	
	B716, B726, B736, B746	26818	Power Cord, 200-240V AUSTR	
	B717, B727, B737, B747	27701	Power Cord, 220-240V SWISS	
	B7	31898	Stroke Adjustment Assembly	1
17	B7	25127	Screw 10-24 x 4.56	4
	B7	10973	Seal	1
21	B7	31891	Stroke Knob	1
	B7	30306	Screw, Self Tapping	4
23	B7	30307	Plug	1
	B7	25930	Cap Cover	1
25	B7	10590	Screw	4
	B7	10415	Washer	4
27	B7	25068	Sleeve	1
	B7			

Series B7 Control Panel Detail



***To adjust pressure control:** Remove yellow cap. With small screwdriver, and the pump running, turn the pressure control adjustment slowly counterclockwise until pump just begins to stall. From this stall point, turn clockwise approximately 30 degrees. This is the optimum pressure control setting for your application.

Series B7 Wiring Diagram

