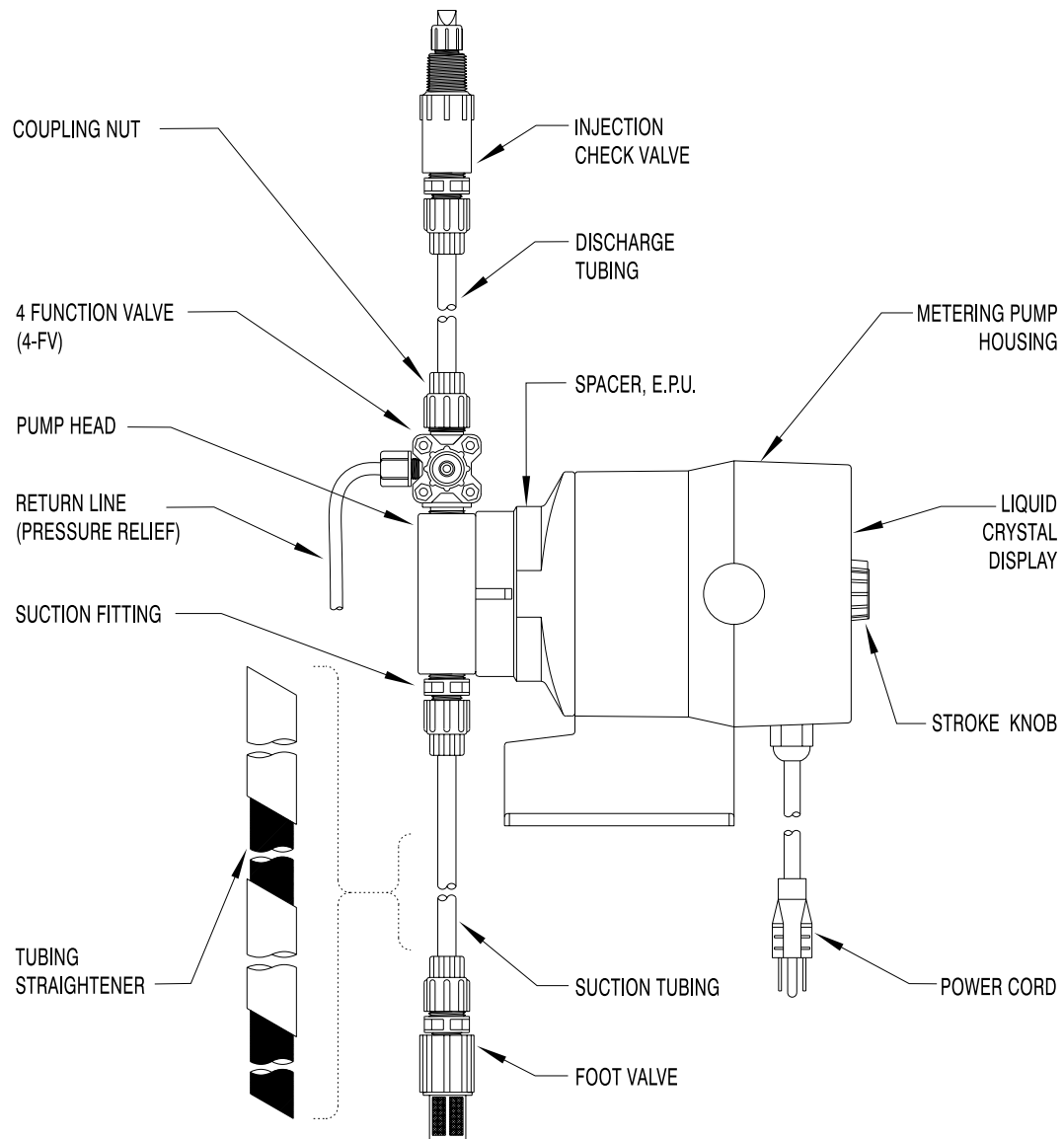


# Instruction Supplement

Series A9



Metering Pump Component Diagram

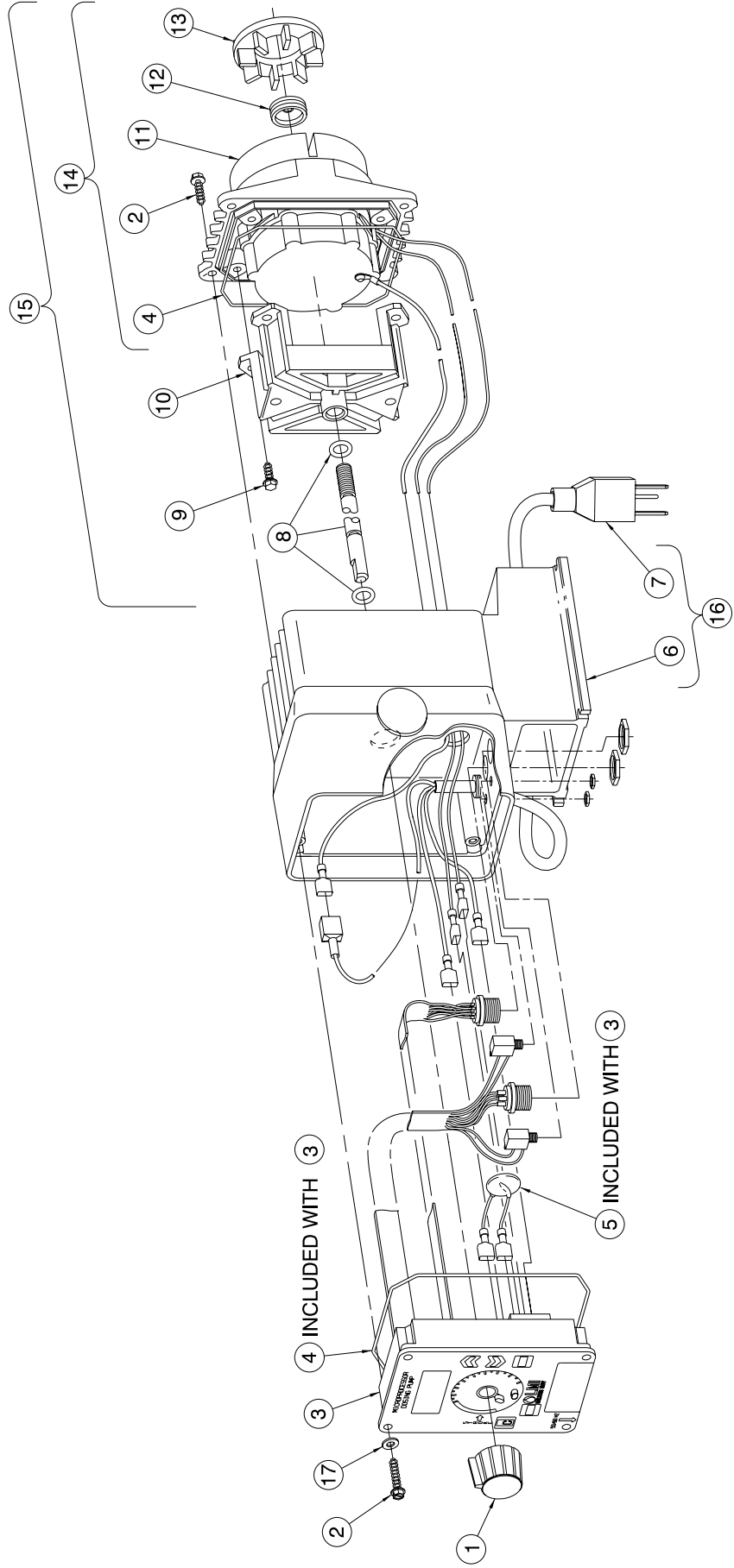
 **LMI**  
LIQUID METRONICS DIVISION  
**MILTON ROY**  
A unit of Sundstrand Corporation

8 Post Office Square  
Acton, MA 01720 USA  
TEL: (508) 263-9800  
FAX: (508) 264-9172  
<http://www.lmipumps.com>



Replaces same of 1793.A 8/96  
1793.A 5/97

# SERIES A9 DRIVE ASSEMBLY EXPLODED VIEW DIAGRAM

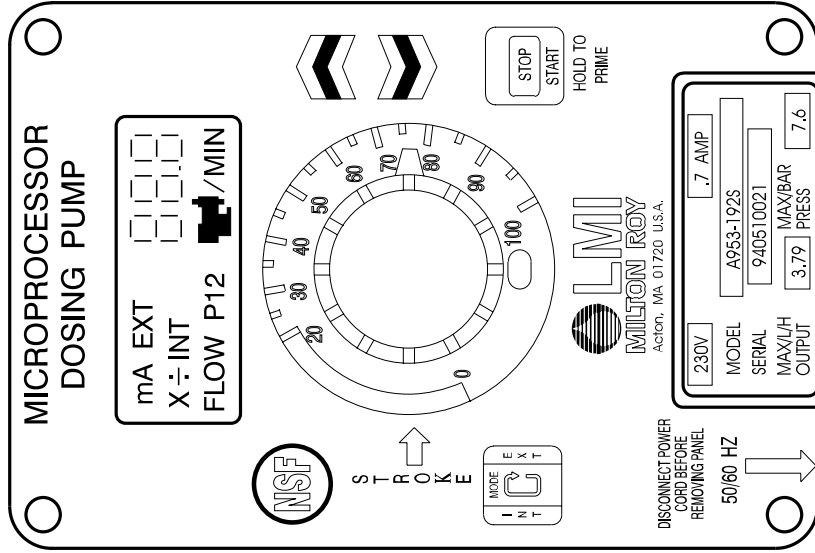


## SERIES A9 DRIVE ASSEMBLY PARTS LIST

Key No.	Model Series	Part No.	Description	Qty.	Key No.	Model Series	Part No.	Description	Qty.
1	A9	31890	Knob	1	13	A94, A97	29445	Disk, 0.5	1
2	A9	30306	Screw	8		A95	29437	Disk, 0.9	1
3	A941, A951	33756	Control Panel Assembly, 120V	1		A96	29442	Disk, 1.8	1
	A942, A943, A945, A946, A947	33755	Control Panel Assembly, 230V	1	14	A941	28085	EPU Assembly w/Disk 120V	1
	A952, A953, A955, A956, A957					A942, A943, A945, A946, A947	28086	EPU Assembly w/Disk 230V	1
	A961	33763	Control Panel Assembly, 120V	1		A951	27465	EPU Assembly w/Disk 120V	1
	A962, A963, A965, A966, A967	33764	Control Panel Assembly, 230V	1		A952, A953, A955, A956, A957	27466	EPU Assembly w/Disk 230V	1
	A971	33765	Control Panel Assembly, 120V	1		A961	27467	EPU Assembly w/Disk 120V	1
	A972, A973, A975, A976, A977	33766	Control Panel Assembly, 230V	1		A962, A963, A965, A966, A967	27468	EPU Assembly w/Disk 230V	1
4	A9	10166	O-Ring	2		A971	29272	EPU Assembly w/Disk 120V	1
5	A941, A951, A961, A971	10626	Varistor Assembly, 120V	1		A972, A973, A975, A976, A977	29273	EPU Assembly w/Disk 230V	1
	A942, A952, A962, A972	10627	Varisor Assembly, 230V	1	15	A941	31915	EPU w/Stroke Adjustment & Disk	1
	A943, A953, A963, A973					A942, A943, A945, A946, A947	31916	EPU w/Stroke Adjustment & Disk	1
	A945, A955, A965, A975					A951	31911	EPU w/Stroke Adjustment & Disk	1
	A946, A956, A966, A976					A952, A953, A955, A956, A957	31912	EPU w/Stroke Adjustment & Disk	1
	A947, A957, A967, A977					A961	31913	EPU w/Stroke Adjustment & Disk	1
6	A9	33630	Housing	1		A962, A963, A965, A966, A967	31914	EPU w/Stroke Adjustment & Disk	1
7	A941, A951, A961, A971	29033*	Power Cord Assembly, 120V	1		A971	31917	EPU w/Stroke Adjustment & Disk	1
	A942, A952, A962, A972	29039	Power Cord Assembly, 230V	1		A972, A973, A975, A976, A977	31918	EPU w/Stroke Adjustment & Disk	1
	A943, A953, A963, A973	29042	Power Cord Assembly, 220-240V DIN	1	16	A941, A951, A961, A971	33757	Housing Assembly	1
	A945, A955, A965, A975	29044	Power Cord Assembly, 200-240V UK	1		A942, A952, A962, A972	33848	Housing Assembly	1
	A946, A956, A966, A976	29046	Power Cord Assembly, 200-240V AUST	1		A943, A953, A963, A973	33758	Housing Assembly	1
	A947, A957, A967, A977	29048	Power Cord Assembly, 200-240V SWISS	1		A945, A955, A965, A975	33759	Housing Assembly	1
8	A9	31768	Adjustment Shaft Assembly	1		A946, A956, A966, A976	33849	Housing Assembly	1
9	A9	32498	Screw	4		A947, A957, A967, A977	33760	Housing Assembly	1
10	A9	26838	Stroke Bracket	1	17	A9	33889	Washer	4
11	A941, A951	32698	EPU, 120V	1					
	A942, A943, A945, A946, A947	32699							
	A952, A953, A955, A956, A957								
	A961	32702	EPU, 230V	1					
	A962, A963, A965, A966, A967	32703	EPU, 230V	1					
	A971	32691	EPU, 120V	1					
	A972, A973, A975, A976, A977	32692	EPU, 230V	1					
12	A9	10973	Seal	1					

\* Part #33761 European Color Coded

# SERIES A9 CONTROL PANEL DETAIL



# SERIES A9 WIRING DIAGRAM

