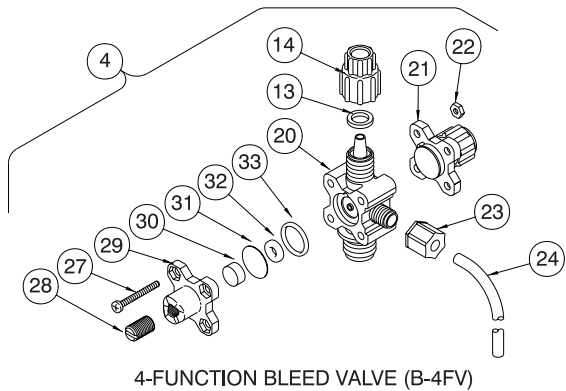
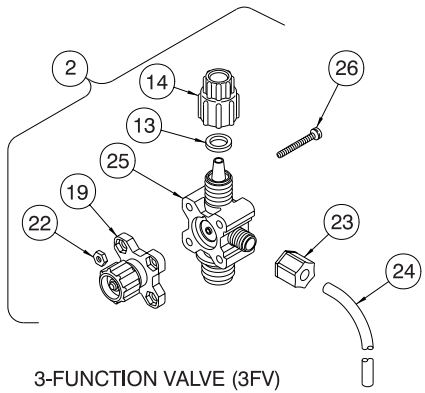
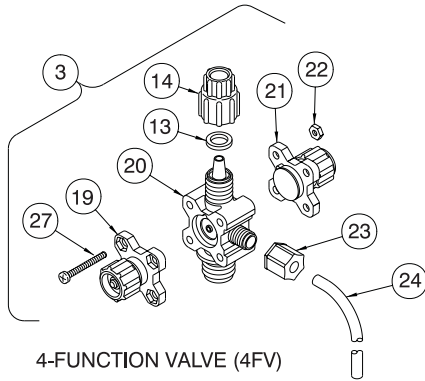


Liquid End Sheet

Key No.	Part No.	Part Description	Quantity					
			392TI	392SI	392BI	393TI	393SI	393BI
1								
	37356	Inj Ck Valve, PVDF	1	1	1	1	1	1
2	36266	3FV, PVDF 3/8	1			1		
3								
	36276	4FV, PVDF 3/8		1			1	
4								
	36390	B4FV, PVDF 3/8			1			1
5								
	36307	CV .375 PVDF/Polyprel®	3	3	3			
	36306	CV .375 PVDF/PTFE				3	3	3
6								
	36418	Suction Valve, PVDF	1	1	1			
	36354	Suction Valve, PVDF				1	1	1
7								
	36416	Foot Valve, PVDF	1	1	1			
	36352	Foot Valve, PVDF				1	1	1
8								
	36157	Head Acryl c 0.9						
	36122	Head PVDF 0.9	1	1	1	1	1	1
9	30917	Liquifram 0.9	1	1	1	1	1	1
11								
	37351	Inj Fitting PVDF	1	1	1	1	1	1
12								
	37115	Valve Housing PVDF	3	3	3	3	3	3
13	26136	Clamp Ring	3	3	3	3	3	3
14	10299	Coupling Nut	4	4	4	4	4	4
15	10342-16	Tubing .375 P.E.	1	1	1	1	1	1
	27342-16	Tubing .375 U.V.P.E.	Black, UV resistant tubing - change "I" to "U" (for example 392SI to 392SU)					
16	36204	Foot Valve Coupling	1	1	1	1	1	1
17	10123	Strainer	1	1	1	1	1	1
18	10340	Screw, Head	4	4	4	4	4	4
19	36866	P/R Cap Asm.	1	1		1	1	
20								
	37227	4FV Body, PVDF		1	1		1	1
21	36280	A/S Cap Asm.		1	1		1	1
22	25628	Nut	4	4	4	4	4	4
23	25631	Coupling Nut	1	1	1	1	1	1
24	25636-10	Tubing .250 P.E.	1	1	1	1	1	1
	28636-10	Tubing .250 U.V.P.E.	Black, UV resistant tubing - change "I" to "U" (for example 392SI to 392SU)					
25								
	37229	3FV Body, PVDF	1			1		
26	35716	Screw, 3FV	4			4		
27	25627	Screw, 4FV		4	4		4	4
28	34876	Screw, B/4FV			1			1
29	32171	Cap			1			1
30	34868	Disc			1			1
31	32173	Diaphragm			1			1
32	32175	O-Ring			1			1
33	32176	O-Ring			1			1
34	27352	Flapper Valve	1	1	1	1	1	1
35	37349	Inj Ck Valve Kit	1	1	1	1	1	1
---	10322	Weight (not shown)	1	1	1	1	1	1



Washer on Bottom
Install 3-piece cartridge
valve as shown in
direction of flow arrow

