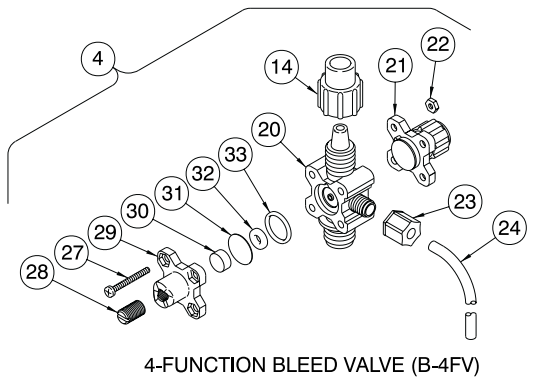
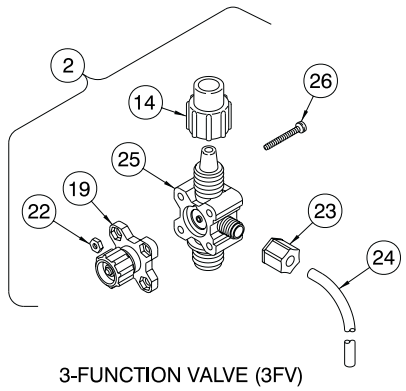
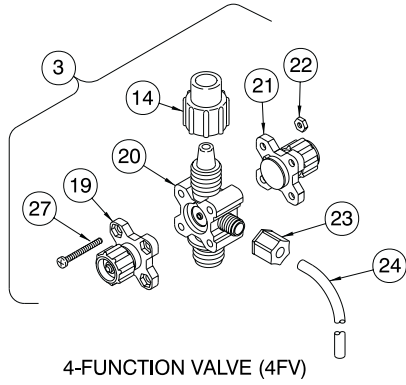
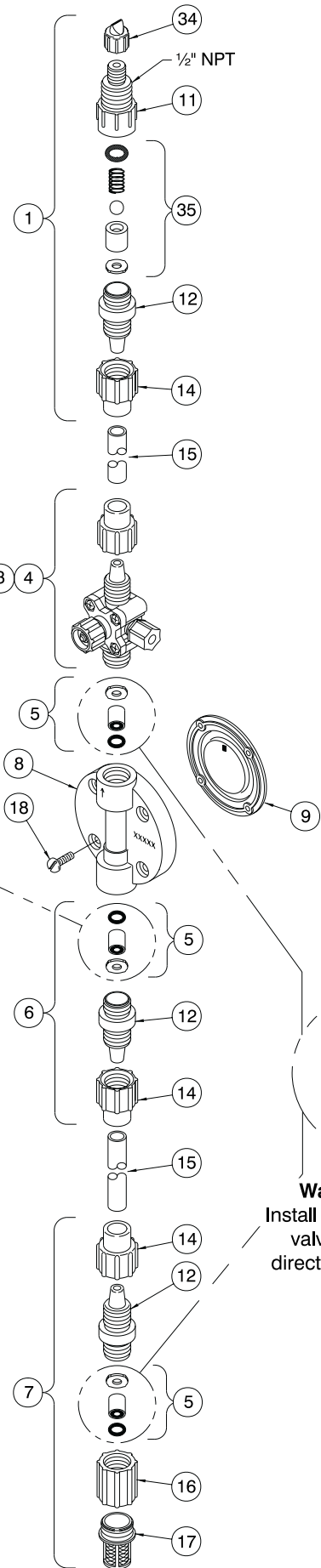
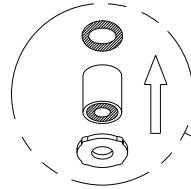


Liquid End Sheet

Key No.	Part No.	Part Description	Quantity					
			312TI	312SI	313TI	313SI	312BI	313BI
1	37358	Inj Ck Valve, PVDF	1	1	1	1	1	1
2	36267	3FV, PVDF 1/2	1		1			
3	36273	4FV, PGCT 1/2						
	36277	4FV, PVDF 1/2		1		1		
4	37075	B/4FV, PVDF					1	1
5	36308	CV .375 PGCT/Polyprel®						
	36307	CV .375 PVDF/Polyprel®	3	3			3	
	36306	CV .375 PVDF/PTFE			3	3		3
6	36421	Suction Valve, PVDF	1	1			1	
	36360	Suction Valve, PVDF			1	1		1
7	36355	Foot Valve, PGC						
	36419	Foot Valve, PVDF	1	1			1	
	36358	Foot Valve, PVDF			1	1		1
8	36159	Head Acrylic 3.0						
	36127	Head PGCT 3.0						
	36128	Head PVDF 3.0	1	1	1	1	1	1
9	31419	LiquiframT 3.0	1	1	1	1	1	1
11	37351	Inj Fitting PVDF	1	1	1	1	1	1
12	37117	Valve Housing PVDF	3	3	3	3	3	3
14	10411	Coupling Nut	4	4	4	4	4	4
15	10142-16	Tubing .500 P.E.	1	1	1	1	1	1
	27142-16	Tubing .500 U.V.P.E.	Black, UV resistant tubing - change "I" to "U" (for example 312SI to 312SU)					
16	36204	Foot Valve Coupling	1	1	1	1	1	1
17	10123	Strainer	1	1	1	1	1	1
18	10340	Screw, Head	4	4	4	4	4	4
19	36866	P/R Cap Asm.	1	1	1	1		
20	37231	4FV Body, PVDF		1		1	1	1
21	36280	A/S Cap Asm.		1		1	1	1
22	25628	Nut	4	4	4	4	4	4
23	25631	Coupling Nut	1	1	1	1	1	1
24	25636-10	Tubing .250 P.E.	1	1	1	1	1	1
	28636-10	Tubing .250 U.V.P.E.	Black, UV resistant tubing - change "I" to "U" (for example 312SI to 312SU)					
25	37233	3FV Body, PVDF	1		1			
26	35716	Screw, 3FV	4		4			
27	25627	Screw, 4FV		4		4	4	4
28	34876	Screw, B/4FV		1			1	1
29	32171	Cap		1			1	1
30	34868	Disc		1			1	1
31	32173	Diaphragm		1			1	1
32	32175	-Ring		1			1	1
33	32176	-Ring		1			1	1
34	27352	Flapper Valve	1	1	1	1	1	1
35	37349	Inj Ck Valve Kit	1	1	1	1	1	1
---	10322	Weight (not shown)	1	1	1	1	1	1
---	37203	Clamp Ring (not shown)	1	1	1	1	1	1



Washer on Bottom
Install 3-piece cartridge
valve as shown in
direction of flow arrow



Washer on Top
Install 3-piece cartridge
valve as shown in
direction of flow arrow

