



When pumping solutions, make certain that all tubing is securely attached to the fittings. It is recommended that tubing or pipe lines be shielded to prevent possible injury in case of rupture or accidental damage. Always wear protective clothing and face shield when working on or near your metering pump.

Note: See parts list for materials of construction

A. INSTALLING INJECTION CHECK VALVE (FIGURE 1)

1. The Injection Check Valve prevents backflow from a treated line. Install the injection check valve at the location where chemical is being injected into the system.
2. Any size Female NPT fitting or pipe tee with a reducing bushing to 1/2" Female NPT will accept the injection check valve. PTFE tape should only be used on threads that are connected with pipes.
3. When installing the Injection Check Valve, be sure to position it so that the valve enters the bottom of your pipe in a vertical position. Variations 40° left and right are acceptable.

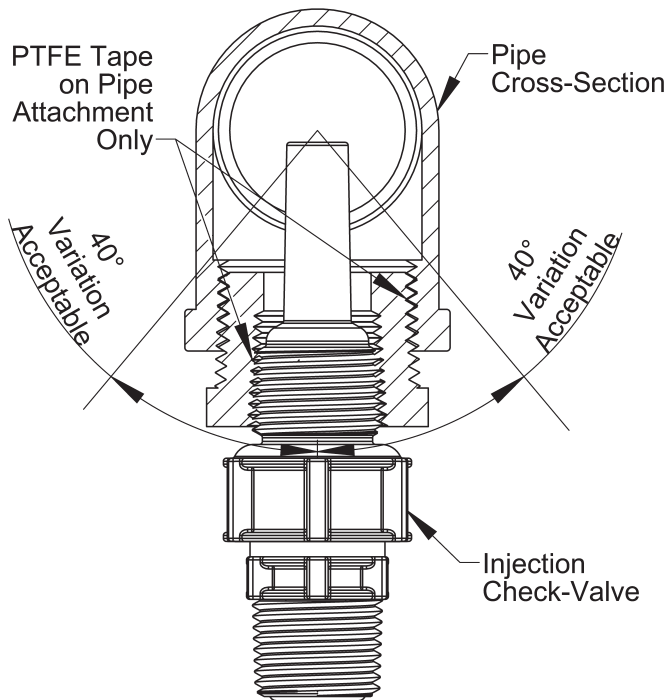


FIGURE 1

B. CONNECTING DISCHARGE TUBING (FIGURE 2)

Note: Cut tubing to length needed for discharge line.

1. Route tubing from the injection check valve to the metering pump, making sure it does not touch hot or sharp surfaces, or is bent so sharply that it kinks.
2. Put coupling nut over tubing.

3. Position female Ferrule about one inch (25 mm) from end of tubing.
4. For 1/4" or 6 mm OD tubing, cut tubing so that 1/4" to 3/8" (5-10 mm) protrudes from the female Ferrule. For all other tubing push the tube to the bottom of the groove in the male Ferrule. Then slide the female Ferrule down into the male Ferrule.
5. Firmly hand tighten the coupling nut onto the fitting.

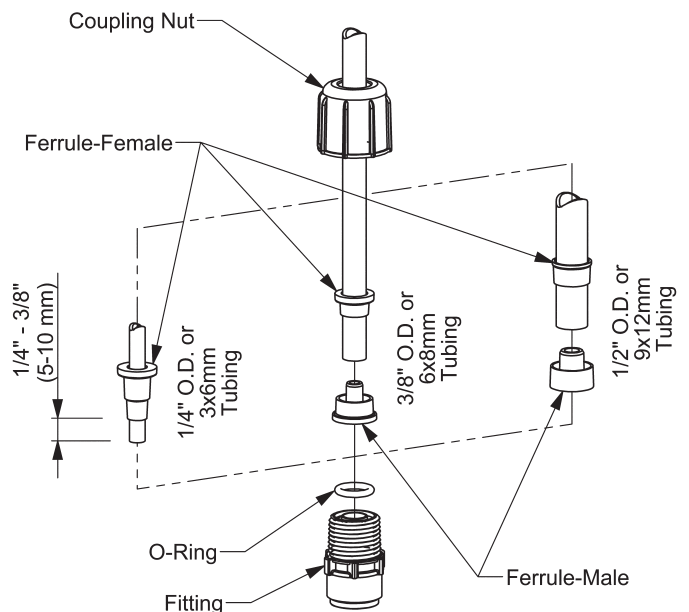


FIGURE 2

DO NOT USE CLEAR VINYL TUBING ON THE DISCHARGE SIDE OF THE PUMP. The pressure created by the pump can rupture vinyl tubing, which is only for connection on the suction side.

DO NOT USE PLIERS OR PIPE WRENCH ON COUPLING NUTS OR FITTINGS.

C. CONNECTING SUCTION TUBING

1. Cut suction tubing to a length so that the foot valve hangs just above the bottom of the solution container. Maximum recommended vertical suction lift is 5 ft (1.5m).
2. Follow same procedure in connecting suction tubing to suction valve and foot valve (*see B. Connecting Discharge Tubing*).

D. PRIMING WITH 3-FUNCTION VALVE

1. Connect pressure relief tubing to the pressure relief port. Route tubing to the solution tank. This tubing must not be submerged in the solution.

When all precautionary steps have been taken, the pump is mounted, and the tubing is securely attached, you may now start priming the pump.

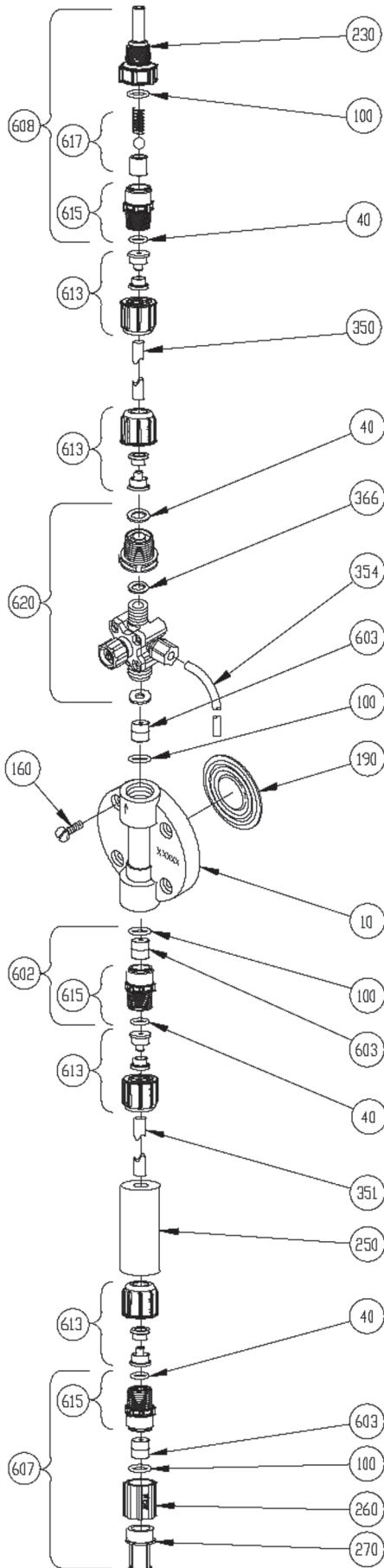
2. Turn black knob about ¼ turn CCW to open bypass port.
3. Set pump at 100% speed and 100% stroke length. Start pump. When fluid has been flowing through the bypass port tubing for 10-20 seconds, the pump is primed.
4. Stop pump and return black knob to normal position.

Note: The pumps are normally self priming if suction lift is less than 5 feet (1.5 meters), check valves are wet (there is usually water in the pump head when shipped from the factory), and the steps above are followed. If the pump does not self prime, you can choose one of 2 ways to help prime:

1. Remove the 3-function valve and cartridge and slowly pour water or solution into the pump head until it is filled. Replace cartridge and 3-function valve and repeat steps above.
2. Temporarily improve suction conditions by pumping from a container closer to or above pump.

REFER TO YOUR ELECTRONIC METERING PUMP INSTRUCTION MANUAL FOR ADDITIONAL INSTRUCTIONS AND PRECAUTIONS. You may contact your local LMI Distributor for additional information or visit LMI on the web at www.lmipumps.com

LE-281TT



| Key Number | Description | Part Number | QTY |
|------------|-----------------------------------|-------------|-----|
| 10 | Head, 0.9 Molded PVC | 37752 | 1 |
| 40 | O-Ring, Polyprel | 48349 | 4 |
| 100 | O-Ring, Polyprel | 36103 | 4 |
| 160 | Screw, Head | 10340 | 4 |
| 190 | Liquifram™, 0.9 Fluorofilm | 30917 | 1 |
| 230 | Injection Fitting, PVC | 48617 | 1 |
| 250 | Weight, Ceramic | 10322 | 1 |
| 260 | Coupling, Foot Valve | 36204 | 1 |
| 270 | Strainer, Foot Valve | 10123 | 1 |
| 350 | Tubing, .375 x .062 Black PE | 27342-10 | 1 |
| 351 | Tubing, .375 x .062 Vinyl | 10469-06 | 1 |
| 366 | O-Ring, Polyprel | 49138 | 1 |
| 354 | Tubing, .250 x .062 PE | 25636-06 | 1 |
| 602 | Valve Asm, Suction PVC/Polyprel | 49088 | 1 |
| 603 | Cartridge Asm, PVDF/Polyprel | 37338 | 3 |
| 607 | Valve Asm, Foot PVC/Polyprel | 49100 | 1 |
| 608 | Valve Asm, Injection PVC/Polyprel | 48728 | 1 |
| 613 | Tubing Connection Kit , 3/8" | 77383 | 4 |
| 615 | Fitting, Single Ball PVC | 48787 | 3 |
| 617 | Cartridge Asm, Injection | 48795 | 1 |
| 620 | Valve Asm, 3FV | 49148 | 1 |