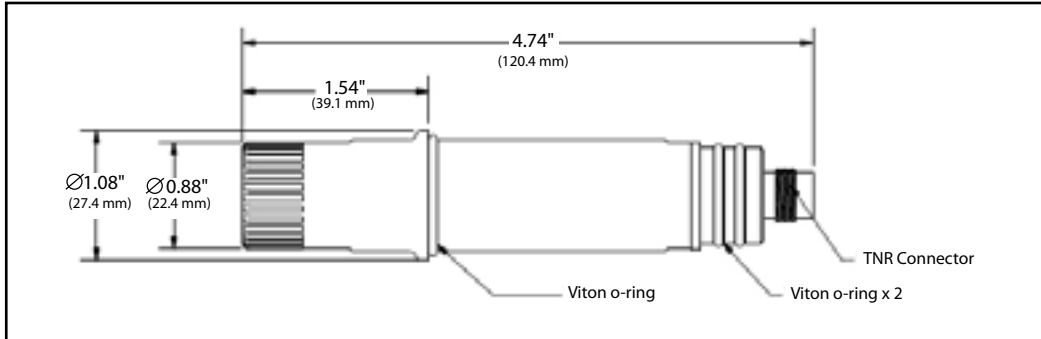
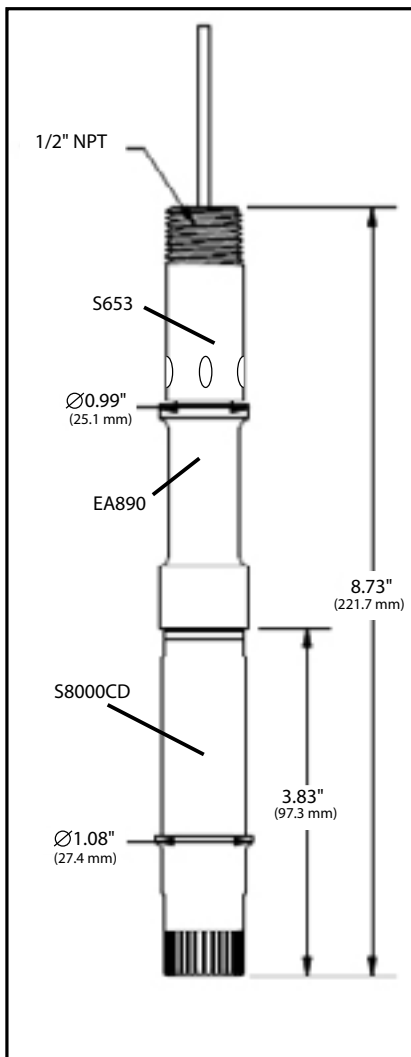


S8000 Series Outline and Dimension Drawings

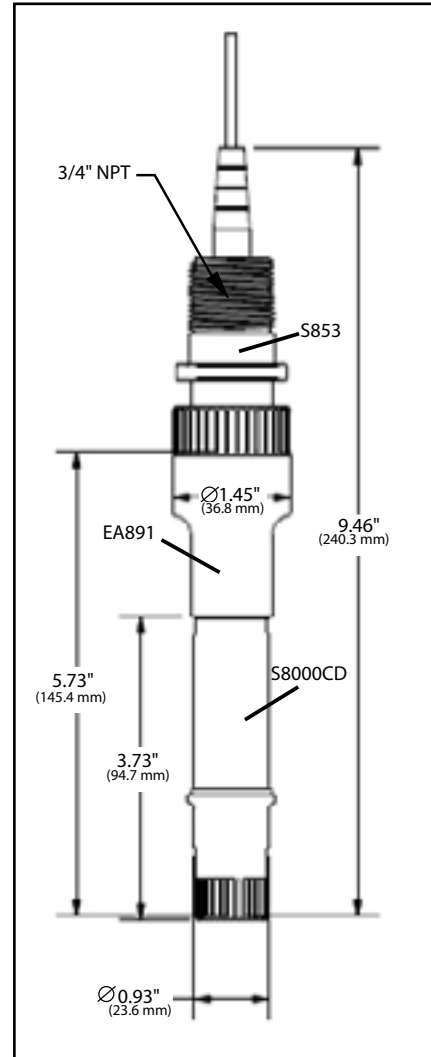
S8000CD, S8000CDHF, S8000CD-ORP, S8000CD-LC



S8000CD + EA890 + S653



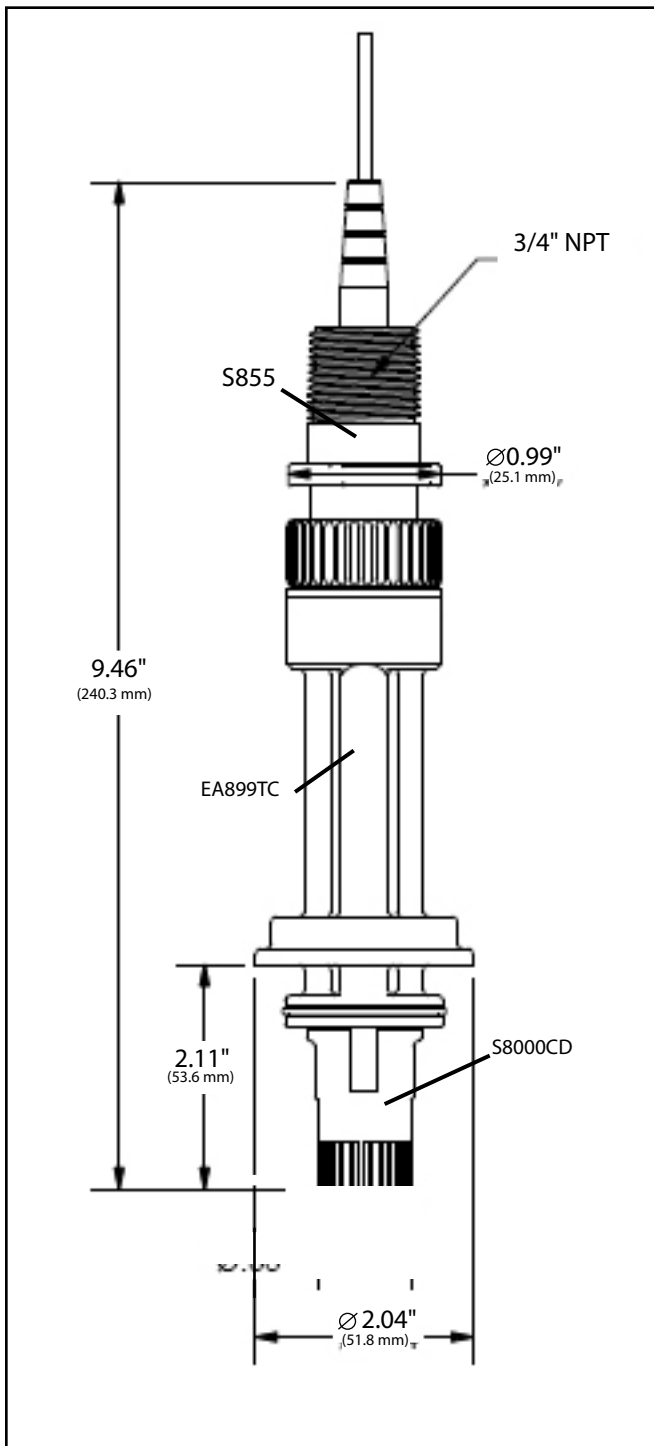
S8000CD + EA891 + S853



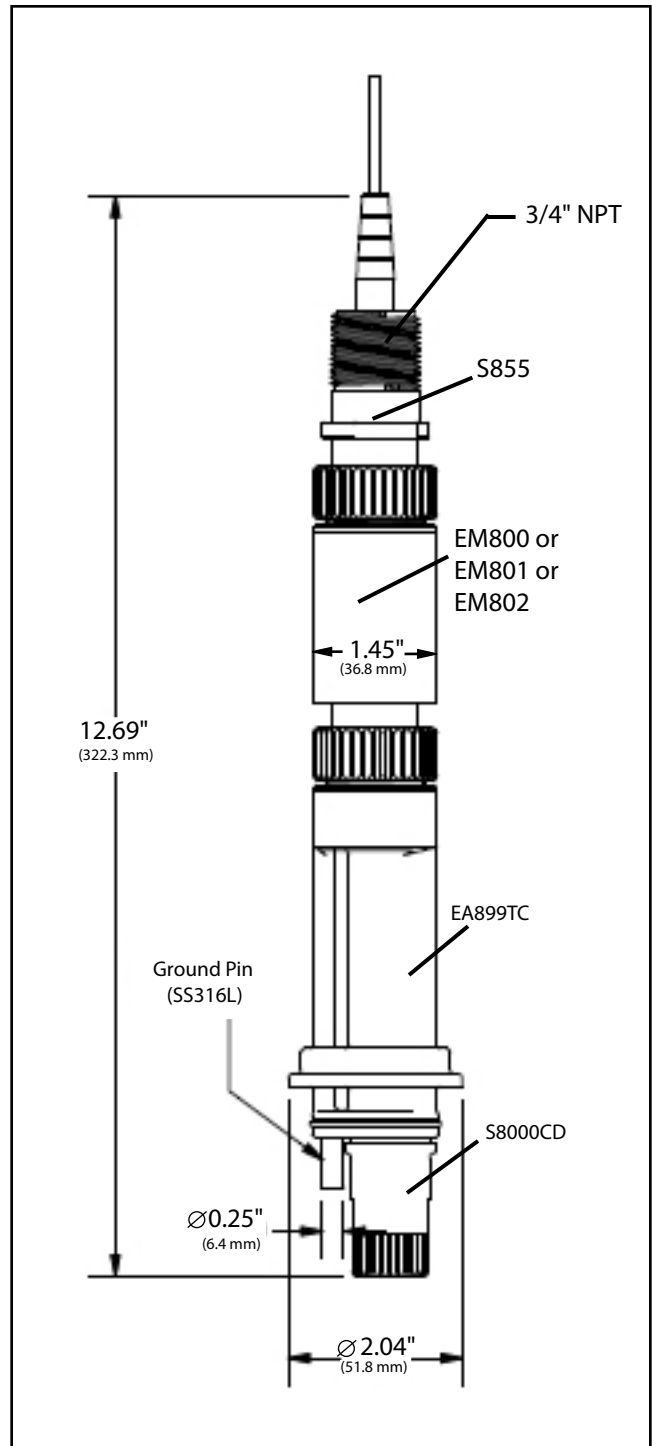
Parts covered by this product data sheet include: S8000CD, S8000CDHF, S8000CD-ORP, S8000CD-LC, EA890, EA891, EA899, EA899TC, EM800, EM801, EM802, S653, S853, S855, FC800, FC801

S8000 Series Outline and Dimension Drawings

S8000CD + EA899TC + S855

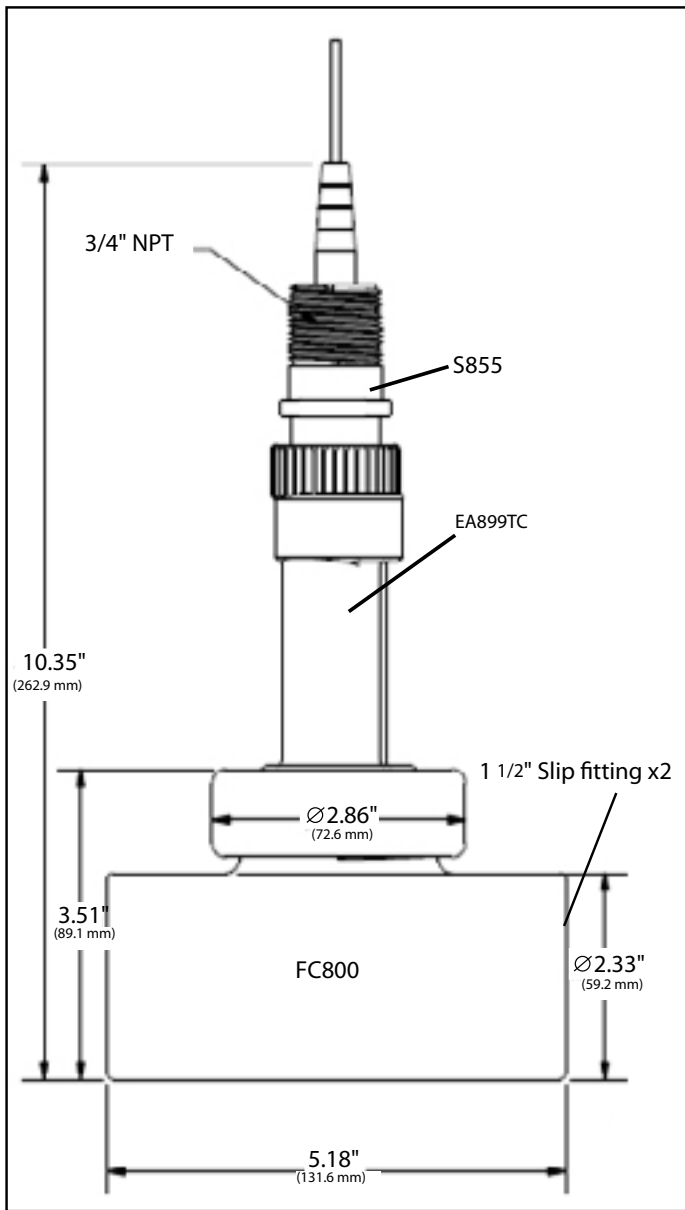


S8000CD + EA899TC + EM800+ S855

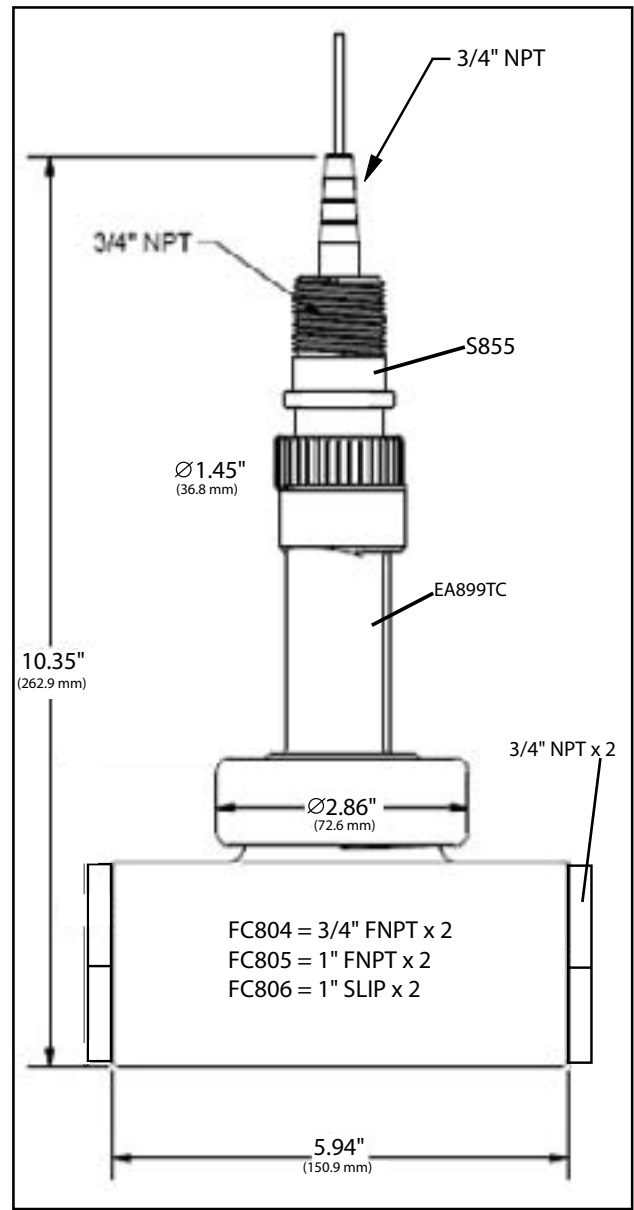


S8000 Series Outline and Dimension Drawings

**S8000CD + EA899TC
+ S855 + FC800**



**S8000CD + EA899TC
+ S855 + FC804 + EM800**



S8000 Series Outline and Dimension Drawings

S8000CD + EA899TC + S855 + FC800 + FC801

