

ISO 9001:2008
CERTIFIED COMPANY



SPX



SPT

FEATURES

- Accurate at low flows
- Simple and durable
- Compatible with a variety of chemicals
- Visual flow monitoring (SPX Only)

APPLICATIONS

- Low flow monitoring
- Chemical batching
- Proportional chemical injection
- Fertilizer injection

GENERAL INFORMATION

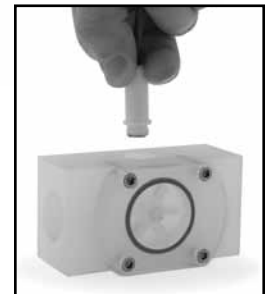
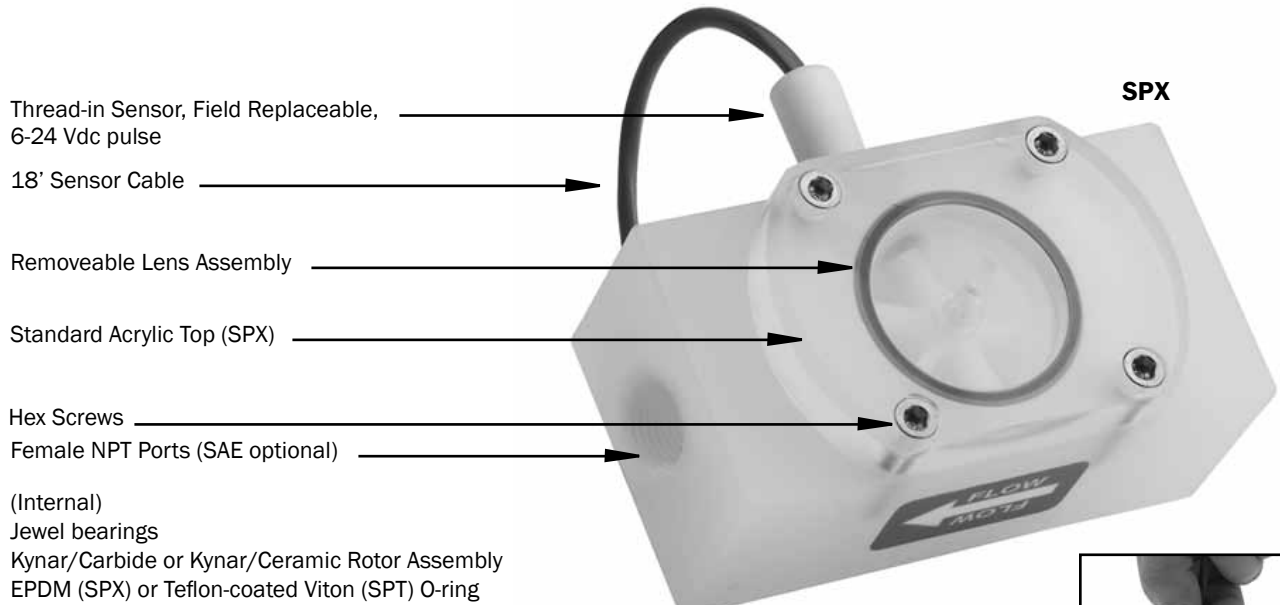
These versatile impeller flowmeters are available in 3/8", 1/2", 3/4", and 1" nominal pipe sizes with female NPT threads (SAE optional). They employ jewel bearings to allow for very low minimum flow rates and superior life.

With a body material of polypropylene, the **SPX** is an economical choice for metering water or low corrosion fluids. The lens cover is available in a choice of materials: acrylic for visual flow indication of low-corrosion fluids; polypropylene when more corrosion resistance is needed. The standard rotor assembly is Kynar with tungsten carbide shaft (ceramic shaft optional). The O-ring is EPDM.

The **SPT** offers greater chemical resistance with a Teflon body and cover, Teflon-coated Viton O-ring, and standard Kynar/ceramic rotor assembly (silicon carbide shaft optional).

The pulse output of these meters is compatible with many different types of controls, including a full range of Seametrics rate displays and controls. The Seametrics FT420 provides flow rate and total flow indication, with 4-20 mA output capability. The FT415 is a battery-operated rate & total display. For metering pump pacing or interfacing with lowspeed counters, the PD10 pulse divider is recommended. The AO55 may be used for blind 4-20mA transmission.

FEATURES



FIELD REPLACEMENT OF SENSOR

SPECIFICATIONS*

	SPX	SPT
Connection Ports	3/8", 1/2", 3/4", 1", Female NPT thread (SAE optional)	3/8", 1/2", 3/4", 1", Female NPT thread (SAE optional)
Sensor Cable	18 feet standard (Maximum cable run 2000 ft.)	18 feet standard (Maximum cable run 2000 ft.)
Materials		
Body	Polypropylene	TFE Teflon
Rotor	PVDF (Kynar)	PVDF (Kynar)
Shaft	Nickel tungsten carbide (zirconia ceramic optional)	Zirconia ceramic (silicon carbide optional)
O-Ring	EPDM (Kalrez or Teflon-coated Viton optional)	Teflon-coated Viton (EPDM or Kalrez optional)
Bearings	Ruby ring and ball	Ruby ring and ball
Cover	Acrylic (Polypro optional)	TFE Teflon
Maximum Temperature	160° F (70° C)	180° F (82° C)
Maximum Pressure	150 PSI (10 bar)	150 PSI (10 bar)
Accuracy	±1% of full scale	±1% of full scale
Power	5-24 Vdc, 2 mA min	5-24 Vdc, 2 mA min
Outputs	Current sinking pulse, 6-24 Vdc	Current sinking pulse, 6-24 Vdc
Regulatory	CE Mark (Standard Power Only)	CE Mark (Standard Power Only)

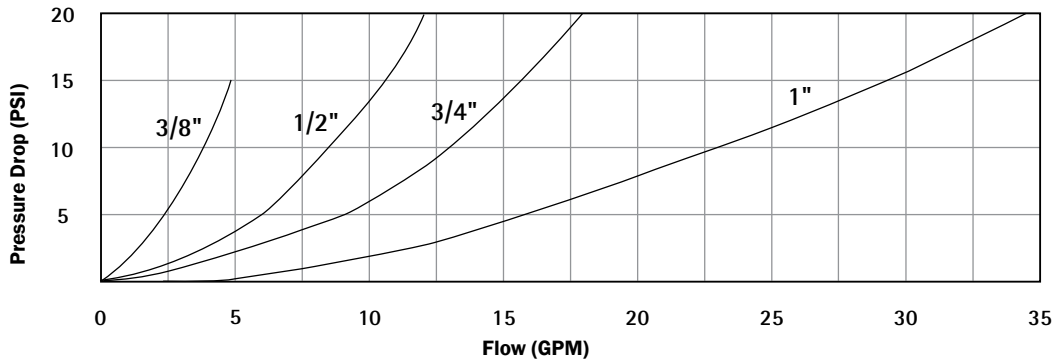
*Specifications subject to change • Please consult our website for current data (www.seametrics.com).

FLOW RANGE

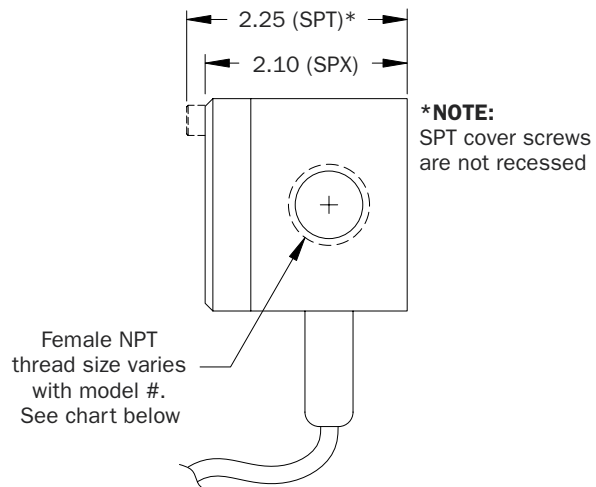
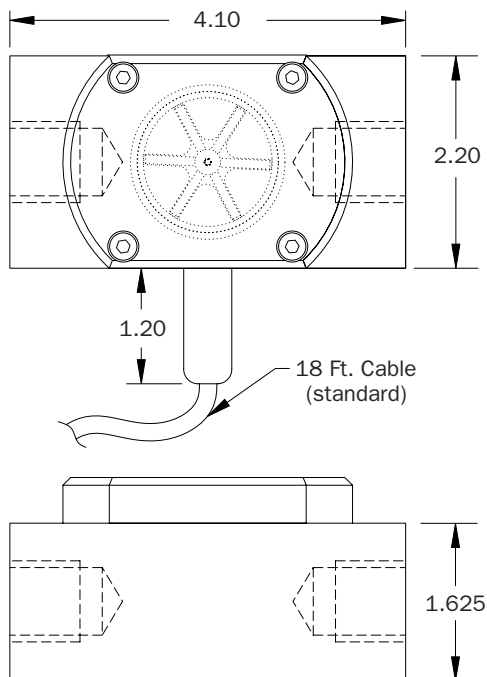
Model #	*K-Factor (pulses/Gal)		Gal/Min	Liter/Min
	SPT	SPX		
-038	1394	1417	0.07-5	0.27-18.9
-050	634	658	0.1-10	0.38-37.9
-075	476	468	0.2-20	0.75-75
-100	250	254	0.5-40	1.9-150

*Nominal K-factors (based on averages) for standard 2-magnet SPT and SPX.
High resolution (6-magnet) K-factors are approximately tripled.

PRESSURE DROP CURVES



DIMENSIONS



Model #	NPT Thread Size
-038	3/8"
-050	1/2"
-075	3/4"
-100	1"

HOW TO ORDER

MODEL

Polypro/Acrylic = **SPX**

TFE Teflon = **SPT**

SIZE

3/8" (0.07-5 GPM) = **-038**

1/2" (0.1-10 GPM) = **-050**

3/4" (0.2-20 GPM) = **-075**

1" (0.5-40 GPM) = **-100**

OPTIONS

Ceramic shaft (SPX) = **-01**

Micropower pickup (use with FT415 or DL76 only) = **-04**

Polypro cover (SPX) = **-12**

High resolution rotor = **-13**

Teflon-coated Viton O-ring (SPX) = **-25**

Kalrez O-ring = **-59**

Silicon carbide shaft = **-68**

EPDM O-ring (SPT) = **-69**

ACCESSORIES

Rate and Total Indicator, DC powered = **FT420**

Rate and Total Indicator, Battery powered = **FT415**

Blind Analog Transmitter (4 to 20 mA) = **AO55**

Batch Flow Processor = **FT520**

Data Logger = **DL76**

Plug-in Power Converter, 100-115 Vac, 24 Vdc = **PC3**

Panel Mount Plug-in Power Converter, 100-115 Vac, 24 Vdc = **PC2**

SUPPLIER CONTACT INFORMATION