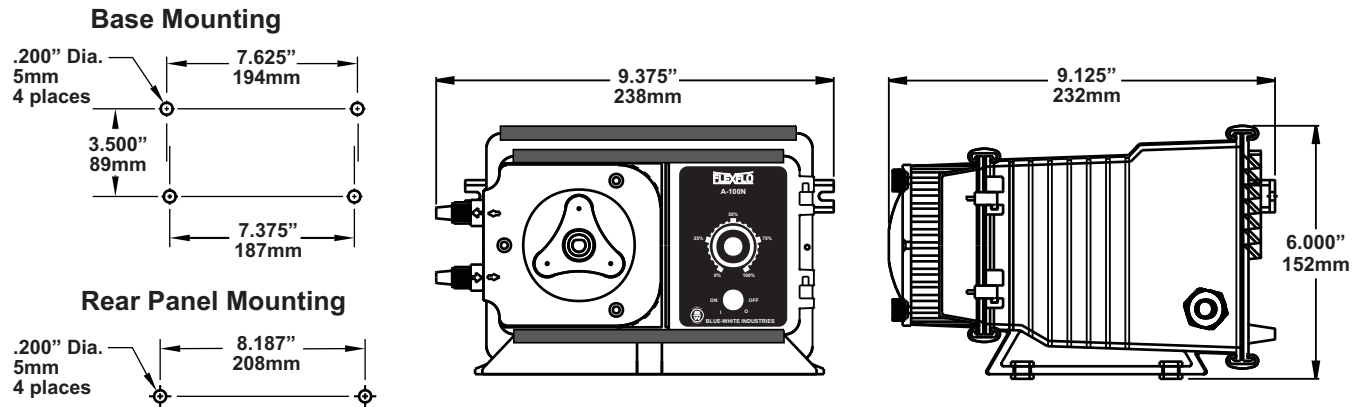
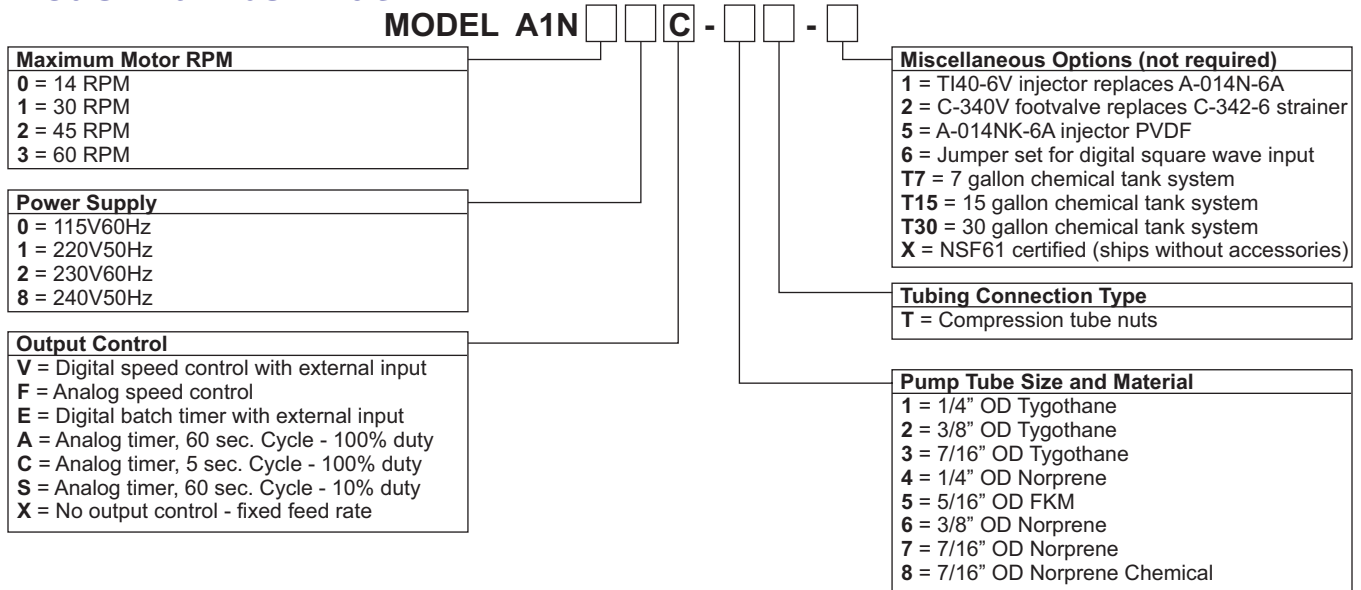




### Dimensions:



### Model Number Matrix:



### Maximum Flow rate and pressure capacities:

Tube no.	Tubing Material	14 RPM MODELS				30 RPM MODELS				45 RPM MODELS				60 RPM MODELS			
		ml/m	oz/m	lph	gph PSI(bar)	ml/m	oz/m	lph	gph PSI(bar)	ml/m	oz/m	lph	gph PSI(bar)	ml/m	oz/m	lph	gph PSI(bar)
1	Tygothane	15	0.51	0.90	0.24 65(4.5)	35	1.18	2.10	0.55 65(4.5)	54	1.83	3.24	0.86 65(4.5)	67	2.26	4.02	1.06 65(4.5)
2	Tygothane	32	1.08	1.92	0.51 65(4.5)	75	2.54	4.50	1.19 65(4.5)	115	3.89	6.90	1.82 65(4.5)	140	4.73	8.40	2.22 65(4.5)
3	Tygothane	73	2.47	4.37	1.16 50(3.5)	173	5.85	10.38	2.74 50(3.5)	261	8.82	15.66	4.14 50(3.5)	326	11.01	19.56	5.17 50(3.5)
4	Norprene	6	0.20	0.36	0.10 100(6.9)	13	0.44	0.78	0.21 100(6.9)	21	0.71	1.26	0.33 100(6.9)	25	0.85	1.50	0.40 75(5.2)
5	FKM	11	0.37	0.66	0.17 25(1.7)	26	0.88	1.56	0.41 25(1.7)	39	1.31	2.34	0.62 25(1.7)	48	1.62	2.88	0.76 25(1.7)
6	Norprene	18	0.61	1.08	0.29 100(6.9)	42	1.42	2.52	0.67 100(6.9)	63	2.13	3.78	1.00 100(6.9)	79	2.67	4.74	1.25 75(5.2)
7	Norprene	57	1.92	3.42	0.90 50(3.5)	138	4.66	8.28	2.19 50(3.5)	200	6.76	12.00	3.17 50(3.5)	250	8.45	15.00	3.96 50(3.5)
8	Nor Chem	40	1.35	2.40	0.63 50(3.5)	84	2.80	5.04	1.31 50(3.5)	140	4.73	8.40	2.22 50(3.5)	180	6.10	10.80	2.85 50(3.5)

Gallons shown are U.S. Gallons

### Replacement Pump Tubes:

Pump Model Number Suffix	Pump Tube Part Number	Pump Tube Material	Nominal Pump Tube OD
-1T	A1-1T	Tygothane	1/4" (6,4mm)
-2T	A1-2T	Tygothane	3/8" (9,5mm)
-3T	A1-3T	Tygothane	7/16" (11,1mm)
-4T	A1-4T	Norprene	1/4" (6,4mm)
-5T	A1-5T	FKM	5/16" (7,9mm)
-6T	A1-6T	Norprene	3/8" (9,5mm)
-7T	A1-7T	Norprene	7/16" (11,1mm)
-8T	A1-8T	Norprene Chemical	7/16" (11,1mm)