

LE 95LS LIQUID HANDLING ASSEMBLY

CAUTION

When pumping chemicals, make certain that all tubing is securely attached to the fittings. It is recommended that tubing or pipe lines be shielded to prevent possible injury in case of rupture or accidental damage. Always wear protective clothing when working on or near chemical metering pump.

A. INSTALLING INJECTION CHECK/BACK PRESSURE VALVE

1. The injection check valve should always be installed as close as possible to the point of chemical injection, at the very end of the tubing run.
2. Purpose of injection check valve is to prevent backflow from treated line.
3. A 1/2" NPT female fitting with sufficient depth will accept the injection check valve.
4. To insure correct seating of the ball inside the check valve, the injection check valve must be installed vertically upwards.

B. CONNECTING DISCHARGE TUBING

NOTE: Cut tubing to length needed for discharge line making sure sufficient amount is left for suction line.

1. Route tubing from injection check valve to chemical metering pump making sure it does not touch hot surfaces, sharp surfaces, or is bent so sharply that it kinks.
2. Slide small end of coupling nut onto tubing.
3. Slide clamp ring onto tubing.
4. Push tubing over tapered nozzle of discharge valve housing so that tubing flares out and reaches the shoulder. (If tubing is stiff from cold, dip end in hot water.)
5. Slide down the coupling nut until threads are engaged. Tighten by hand until tubing is held securely in place.

Excessive force will crack or distort fittings. DO NOT USE PIPE WRENCH.

6. Follow the same procedure for connecting tubing to injection valve.

C. CONNECTING SUCTION TUBING

1. Cut suction tubing to a length such that the foot valve hangs just above the bottom of the chemical container. Maximum recommended vertical suction lift is 5 ft. (1.5m).
2. Follow same procedure (see B) in connecting suction tubing to suction valve and foot valve.

MATERIALS OF CONSTRUCTION

Fittings	Polypropylene
Seal Rings	Polypropel
Balls	Ceramic
Head	Polypropylene
Liquifram	Teflon Face
Suction	.375" O.D. Polyethylene
Discharge	.375" O.D. Polyethylene

D. PRIMING

1. Connect pressure release tubing to pressure release port.
2. Route tubing to solution reservoir and anchor with plastic tie provided.
3. Set pump at 80% speed and 100% stroke. Start pump.
4. Pull on Pressure Release knob (red or black knob) holding knob out until chemical is visible through translucent return tubing.
5. Pump is now primed.

NOTES:

- (a) Pump is normally self-priming if suction lift is no more than 5 ft. (1.5m), valves in the pump are wet with water (pump is shipped from factory with water in pump head) and the above steps (D1 thru D4) are followed.
- (b) If the pump does not self prime, remove Anti-Syphon/Pressure Release Valve Assembly and discharge valve ball, and pour water or chemical slowly into discharge port until it is filled. Replace valve ball and follow steps D1 thru D5 thereafter.

E. DEPRESSURIZING DISCHARGE LINE

1. It is possible to depressurize discharge line and pump head without removal of tubing or loosening of fittings.

Be sure injection check valve is properly installed and is operating. If a gate valve or globe has been installed, downstream of injection check valve, it should be closed. Be certain relief tubing is connected and run to chemical reservoir.

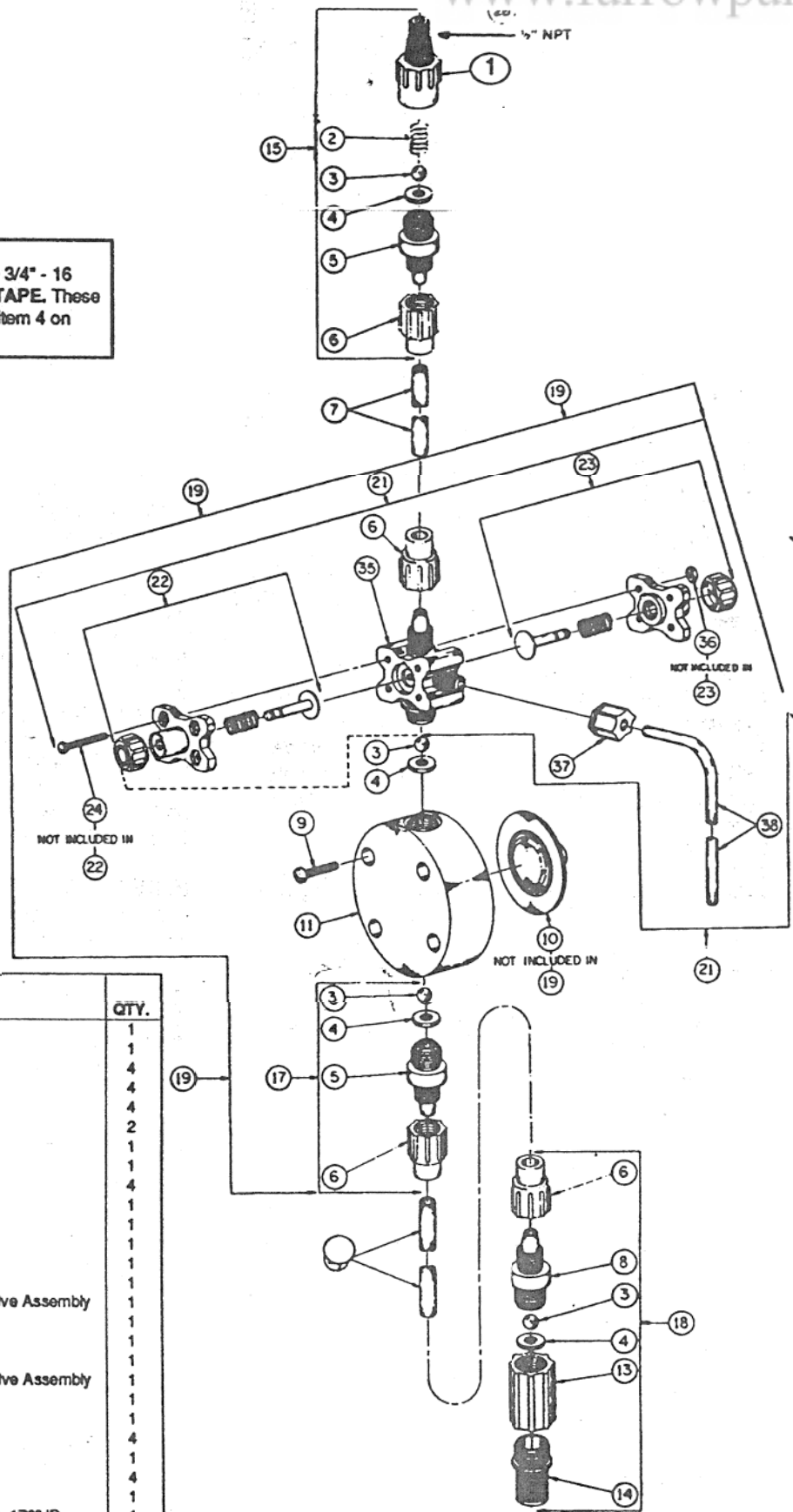
2. Pull on both anti-syphon and relief knobs.
3. The discharge line is now depressurized.
4. If injection check valve is of higher elevation than pump head, disconnecting tubing at injection check valve end will allow air to enter and cause chemical to drain back to tank.



LMI
LIQUID METRONICS DIVISION
MILTON ROY

19 Craig Road, Acton, MA 01720 U.S.A.
TEL (508) 263-9800 • TLX 95-1781
FAX (508) 264-9172

NOTE:
Threaded connections into pump head are 3/4" - 16 straight threads. **DO NOT USE TEFLON TAPE.** These joints are sealed by seal ring valve seats (item 4 on exploded view).



KEY NO.	PART NO.	DESCRIPTION	QTY.
1	10394	Injector Fitting	1
2	10339*	Spring	1
3	10338*	Ball, Ceramic	4
4	29443*	Seal Ring, Polyprel	4
5	10392	Valve Seat, Polypropylene	4
6	10299	Coupling Nut, Polypropylene	2
7	10342-16	Tubing, Polyethylene, .375" O.D.	1
8	10393	Valve Housing, Polypropylene	1
9	10340	Screw, 10-24 x 3/4" S.S.	4
10	10302	Liquifram, 0.9 SI, Teflon Face	1
11	10313M	Head, Polypropylene	1
12	10322	Weight, Ceramic	1
13	10978	Foot Valve Seat, Polypropylene	1
14	10123	Strainer	1
15	28013	Injection Check/Back Pressure Valve Assembly	1
17	28016	Suction Valve Assembly	1
18	28014	Foot Valve Assembly	1
19	31078	Head Assembly, LE 95-LS	1
21	28022	Anti-Syphon/Pressure Release Valve Assembly	1
22	28446	Pressure Release Cap Assembly	1
23	25838	Anti-Syphon Cap Assembly	1
24	25627	Screw, 6-32 x 1 1/4" S.S.	4
35	25869	Valve Body	1
36	25828	Nut, 6-32 Hex S.S.	4
37	25631	Nut, Ferrule	1
38	25836-10	Tubing, Polyethylene, .250" O.D. x .170" ID	1
42	28136	Clamp Fling	3
	10156	Plastic Tie (not shown)	1

*Parts Included in Spare Parts Kit No. SP-92L