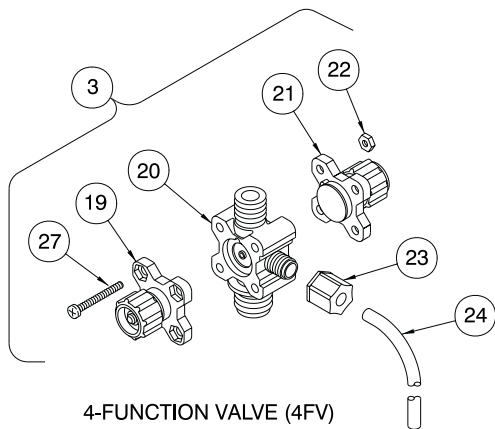
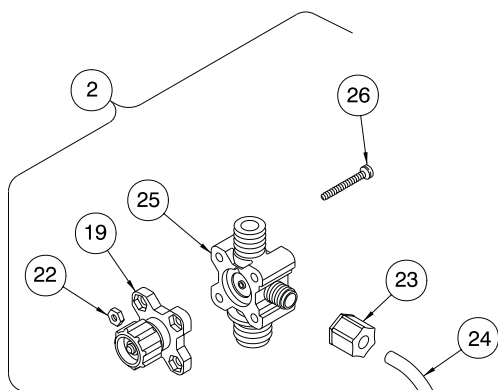


## Liquid End Sheet

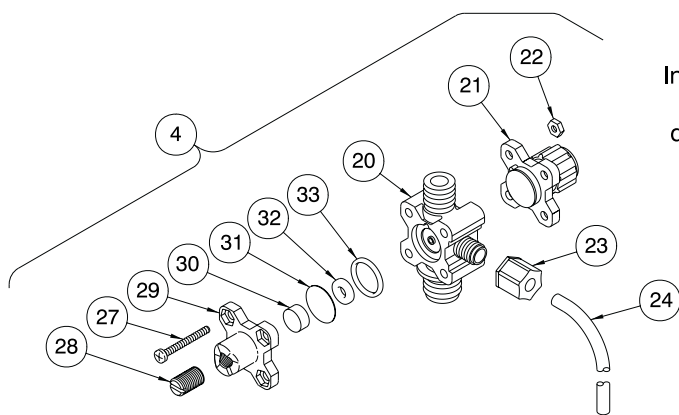
Key No.	Part No.	Part Description	Quantity					
			352TP	352SP	352BP	353TP	353SP	353BP
1								
	37360	Inj Ck Valve, PVDF	1	1	1	1	1	1
2								
	36268	3FV, PVDF 1/4 NPT	1			1		
3								
	36278	4FV, PVDF 1/4 NPT		1			1	
4								
	36393	B4FV, PVDF 1/4 NPT			1			1
5								
	36304	CV .281 PVDF/Polypre®	3	3	3			
	36303	CV .281 PVDF/PTFE				3	3	3
6								
	36504	Suction Valve, PVDF	1	1	1			
	36501	Suction Valve, PVDF				1	1	1
7								
	36502	Foot Valve, PVDF	1	1	1			
	36499	Foot Valve, PVDF				1	1	1
8								
	36119	Head PVDF 0.5	1	1	1	1	1	1
9	30916	LiquiframT 0.5	1	1	1	1	1	1
11								
	37351	Inj Fitting PVDF	1	1	1	1	1	1
12								
	37119	Valve Housing PVDF	3	3	3	3	3	3
16	36204	Foot Valve Coupling	1	1	1	1	1	1
17	10123	Strainer	1	1	1	1	1	1
18	10340	Screw, Head	4	4	4	4	4	4
19	36866	P/R Cap Asm.	1	1		1	1	
20								
	37223	4FV Body, PVDF		1	1		1	1
21	36280	A/S Cap Asm.		1	1		1	1
22	25628	Nut	4	4	4	4	4	4
23	25631	Coupling Nut	1	1	1	1	1	1
24	25636-10	Tubing .250 P.E.	1	1	1	1	1	1
25								
	37225	3FV Body, PVDF	1			1		
26	35716	Screw, 3FV	4			4		
27	25627	Screw, 4FV		4	4		4	4
28	34876	Screw, B/4FV			1			1
29	32171	Cap			1			1
30	34868	Disc			1			1
31	32173	Diaphragm			1			1
32	32175	O-Ring			1			1
33	32176	O-Ring			1			1
34	27352	Flapper Valve	1	1	1	1	1	1
35	37349	Inj Ck Valve Kit	1	1	1	1	1	1



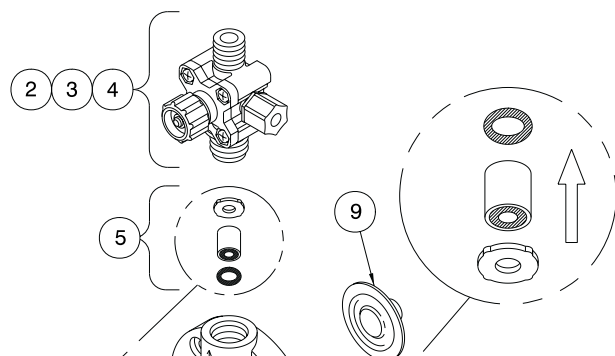
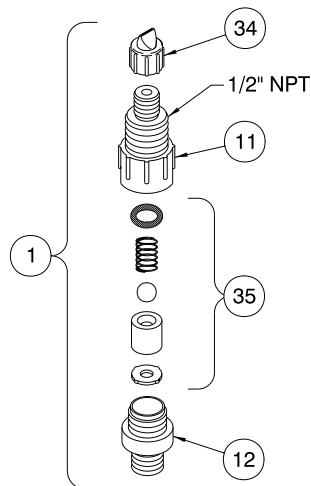
4-FUNCTION VALVE (4FV)



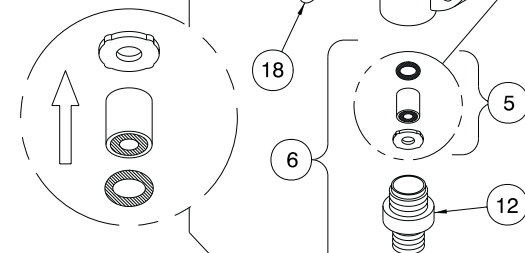
3-FUNCTION VALVE (3FV)



4-FUNCTION BLEED VALVE (B-4FV)



**Washer on Bottom**  
Install 3-piece cartridge valve as shown in direction of flow arrow



**Washer on Top**  
Install 3-piece cartridge valve as shown in direction of flow arrow

